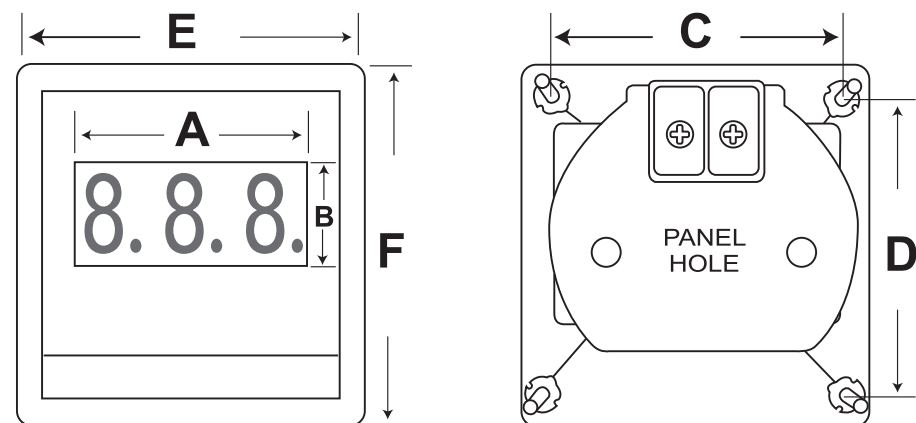




| Model No. | DM-80E | DM-60E | DM-50E |
|---------------------|----------------------------|--|-----------------------|
| DISPLAY | RED LED 20.32mm(0.8") | RED LED 14.22mm(0.56") | RED LED 10.16mm(0.4") |
| ACCURACY | ±0.5% ±2 digit | | |
| TEMPERATURE RANGE | -10°C ~ +50°C | | |
| DIELECTRIC STRENGTH | AC 2KV / 1 min. | | |
| MEASUREMENT RANGE | DM-80E | DM-60E | DM-50E |
| AMMETERS | AC | 0~60A Direct Aux.power: AC 130~300V | |
| | DC | 0~30A Direct Aux.power: DC 2.5~30V | |
| VOLTMETERS | AC | <ul style="list-style-type: none"> • 130V~300V (under AC 130V can not display or display error) • 70V~160V (under AC 70V can not display or display error) | |
| | DC | <ul style="list-style-type: none"> • 2.5V~30V (under DC 2.5V can not display or display error) • 0~99.9V Aux.power DC 2.5~30V | |
| FREQUENCY METERS | 30HZ ~ 99.9HZ AC80V ~ 300V | | |

DIMENSIONS



| MODEL NO. | A | B | C | D | E | F | PANEL HOLE |
|-----------|------|------|----|----|----|----|------------|
| DM-80E | 59 | 25 | 65 | 65 | 80 | 80 | 65 |
| DM-60E | 37.5 | 18 | 49 | 49 | 60 | 60 | 53 |
| DM-50E | 30 | 12.5 | 38 | 38 | 51 | 51 | 46 |

W2H-250A Series











W2H-125A Series



W2R-63A Series



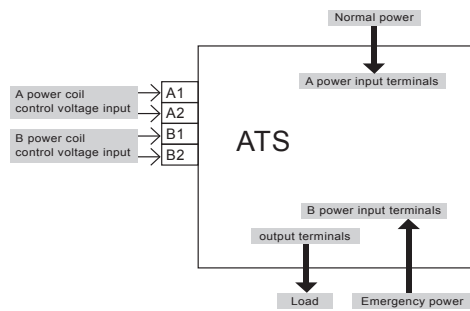
| Type | W2R | | | W2H |
|--|---|---|--|---|
| Picture |  |  |  |  |
| Number of poles | 2P | 3P | 4P | 2P |
| Frame rated current (A) | 63A | | | 125A |
| Rated working current Ie (A) | 16A, 20A, 25A, 32A, 40A, 50A, 63A | | | 16A, 20A, 25A, 32A, 40A, 50A, 63A, 80A, 100A, 125A |
| Coil control voltage | 110V, 220V, 380V, 415V 50Hz or 60Hz | | | 110V, 220V, 380V, 415V 50Hz or 60Hz |
| Insulation voltage (V) | 690V | | | 690V |
| Impulse withstand voltage Uimp (KV) | 6KV | | | 8KV |
| Conformity to standards | IEC60947-6-1 | | | IEC60947-6-1 |
| Making capacity & breaking capacity | AC33iB, 6.0Ie 5 times | | | AC33iA, 6.0Ie 60 times |
| Durability electrical | 1.0Ie 1500 times | | | 2.0Ie 6000 times |
| Rated short-circuit current limit (KA) (Protected by fuse) | 50KA | | | 100KA |
| Change time | From A power to B power From B power to A power | | | 30 msec.- 70 msec. |
| Auxiliary contacts | -- | | | A power: 1A1B, 1C B power: 1A1B, 1C |

| Type | W2H | | W2H | |
|--|---|---|---|---|
| Picture |  |  |  |  |
| Number of poles | 3P | 4P | 3P | 4P |
| Frame rated current (A) | 125A | | 250A | |
| Rated working current Ie (A) | 16A, 20A, 25A, 32A, 40A, 50A, 63A, 80A, 100A, 125A | | 140A, 160A, 200A, 225A, 250A | |
| Coil control voltage | 110V, 220V, 380V, 415V 50Hz or 60Hz | | 110V, 220V, 380V, 415V 50Hz or 60Hz | |
| Insulation voltage (V) | 690V | | 690V | |
| Impulse withstand voltage Uimp (KV) | 8KV | | 8KV | |
| Conformity to standards | IEC60947-6-1 | | IEC60947-6-1 | |
| Making capacity & breaking capacity | AC33iA, 6.0Ie 60 times | | AC33iA, 6.0Ie 60 times | |
| Durability electrical | 2.0Ie 6000 times | | 2.0Ie 6000 times | |
| Rated short-circuit current limit (KA) (Protected by fuse) | 100KA | | 100KA | |
| Change time | From A power to B power From B power to A power | | 30 msec.- 70 msec. | |
| Auxiliary contacts | A power: 1A1B, 1C B power: 1A1B, 1C | | A power: 1A1B, 1C B power: 1A1B, 1C | |

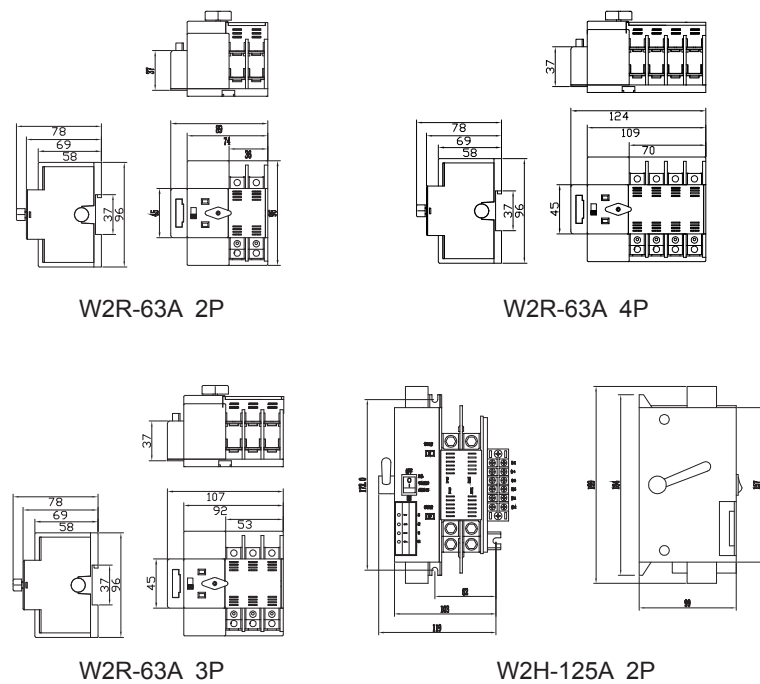
Characteristics

- Two position change over switches of A power (Normal) / B power (Emergency).
- Switch for setting function of Automatic / Manual operation. (A power is priority in automatic operation.)

■ Connection Diagram



Dimensions (mm)



Dimensions (mm)

