

New Product Announcement | Series UR

DEF Dispensing Reels Series UR

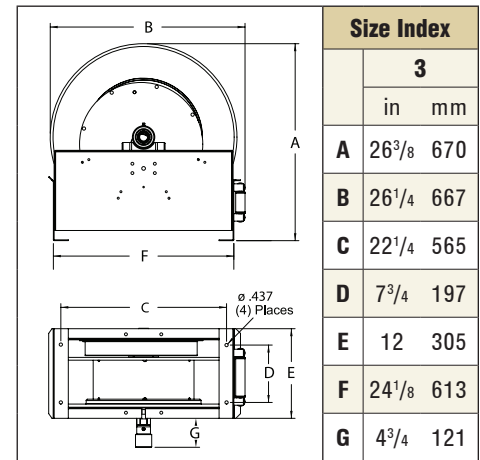
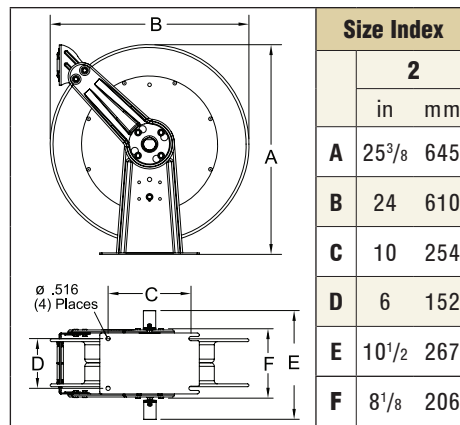
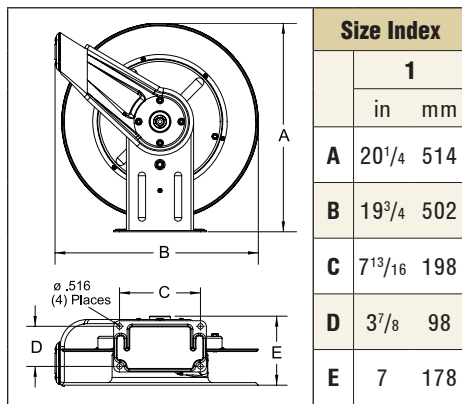
Reelcraft introduces its DEF dispensing line of spring retractable hose reels. Designed to aide in the dispensing of Diesel Emissions Fluid (DEF) for late model diesel engines, these reels are an integral part in emerging DEF service stations in marinas, truck stops and garages.

Benefits

- **Corrosion Resistant** - Internal fluid path parts are made from 304L grade stainless steel and features Viton o-rings. Carbon steel parts receive a uniform polyester powder coat prior to assembly.
- **Integration** - We offer National Pipe Thread fittings as well as British Parallel to ensure that the reel will integrate with other components of your DEF system such as, nozzles, pumps and meters.



UR7925 OLB



- Designed for dispensing DEF or Diesel Emissions Fluid (AUS32, Aqueous Urea Solution)
- Gasketed spring case
- Goodyear DEF dispensing hose and adjustable bumper included (on models with hose)
- Viton® o-rings
- 316 stainless shaft and Super Swivel®
- Reels constructed from industrial grade carbon steel or 304L stainless steel (optional)
- High quality stainless steel hose ferrules

Model with hose	Shipping Weight		Pressure		Hose I.D.		Hose O.D.		(M) Outlet	(F) Inlet	Hose Length		Model without hose	Shipping Weight		Pressure		Size Index #
	lbs	kg	psi	bar	in	mm	in	mm	in	in	ft	m		lbs	kg	psi	bar	
Carbon Steel Reels w/ Stainless Steel Fluid Path																		
Maximum Temperature 150 °F (65 °C)																		
UR7830 OLB	49	22	300	21	1/2	13	.844	22	1/2 NPT	1/2 NPT	30	9	UR7800 OLB	44	20	500	35	1
UR7830 OLB70	49	22	300	21	1/2	13	.844	22	1/2 BSPP	1/2 BSPP	30	9	UR7800 OLB70	44	20	500	35	1
UR7850 OLB	51	23	300	21	1/2	13	.844	22	1/2 NPT	1/2 NPT	50	15	UR7800 OLB	44	20	500	35	1
UR7850 OLB70	51	23	300	21	1/2	13	.844	22	1/2 BSPP	1/2 BSPP	50	15	UR7800 OLB70	44	20	500	35	1
Not available with hose					1/2	13	.844	22	1/2 NPT(F)	1/2 NPT	100	30	UR82000 OLB	82	37	500	35	2
URD9275 OLBWW	122	55	300	21	1/2	13	.844	22	1/2 NPT	1/2 NPT	75	23	URD9200 OLBWW	115	52	500	35	3
URD9275 OLBWW70	125	57	300	21	1/2	13	.844	29	1/2 BSPP	1/2 BSPP	75	23	URD9200 OLBWW70	115	52	500	35	3
UR7915 OLB	48	22	300	21	3/4	19	1.13	29	3/4 NPT	3/4 NPT	15	5	UR7900 OLB	44	20	500	35	1
UR7925 OLB	53	24	300	21	3/4	19	1.13	29	3/4 NPT	3/4 NPT	25	8	UR7900 OLB	44	20	500	35	1
UR83050 OLB	93	42	300	21	3/4	19	1.13	29	3/4 NPT	3/4 NPT	50	15	UR83000 OLB	77	35	500	35	2
URD9350 OLBWW	152	69	300	21	3/4	19	1.13	29	3/4 NPT	3/4 NPT	50	15	URD9300 OLBWW	115	52	500	35	3
URD9350 OLBWW70	152	69	300	21	3/4	19	1.13	29	3/4 BSPP	3/4 BSPP	50	15	URD9300 OLBWW70	115	52	500	35	3

