

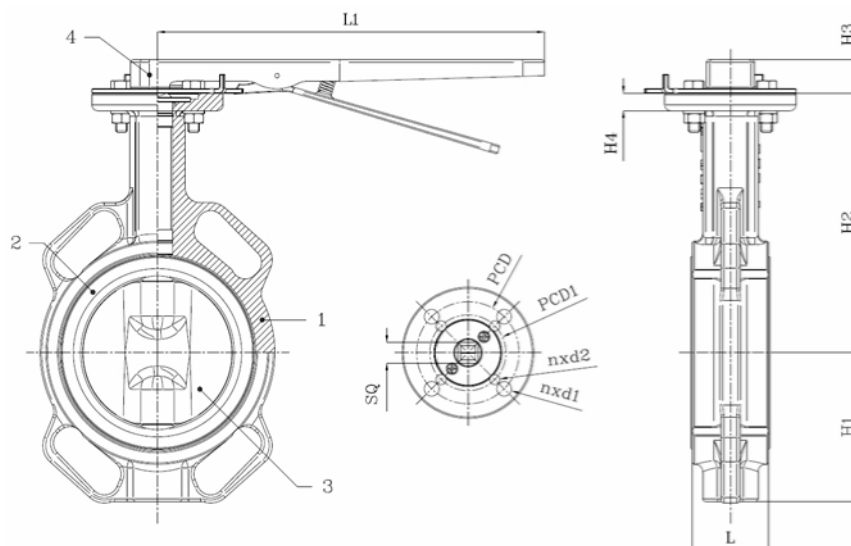
## BV10-2366B-PN10/PN16/A150 - Lever

Wafer type butterfly valve, mounting between flanges PN10/PN16/A150, with lever

Face to Face Standard: EN 558-1 Table 1 series 20



Item Number	Belven Ref
101026B1050	BV10-2366B-PN16-DN050 - LEVER
101026B1065	BV10-2366B-PN16-DN065 - LEVER
101026B1080	BV10-2366B-PN16-DN080 - LEVER
101026B1100	BV10-2366B-PN16-DN100 - LEVER
101026B1125	BV10-2366B-PN16-DN125 - LEVER
<b>101026B1150</b>	<b>BV10-2366B-PN16-DN150 - LEVER</b>
101026B1200	BV10-2366B-PN16-DN200 - LEVER
101026B1250	BV10-2366B-PN16-DN250 - LEVER
101026B1300	BV10-2366B-PN16-DN300 - LEVER



DN/Size	H1	H2	H3	H4	L	L1	SQ	ISO	PCD	PCD1	n x d1	n x d2	Press.Cl.	Weight(kg)
DN50 (2")	71,4	142,7	22	12	43	266	11	F05/F07	70	50	4 x d10	4 x d7	PN16	3.30
DN65 (2 1/2")	77,8	155,4	22	12	46	266	11	F05/F07	70	50	4 x d10	4 x d7	PN16	3.80
DN80 (3")	89	161,8	22	12	46	266	11	F05/F07	70	50	4 x d10	4 x d7	PN16	4.10
DN100 (4")	102	178	22	12	52	266	14	F07	70		4 x d10		PN16	5.20
DN125 (5")	123	190,5	22	12	56	266	14	F07	70		4 x d10		PN16	7.10
<b>DN150 (6")</b>	<b>138</b>	<b>205,2</b>	<b>22</b>	<b>12</b>	<b>56</b>	<b>266</b>	<b>14</b>	<b>F07</b>	<b>70</b>		<b>4 x d10</b>		<b>PN16</b>	<b>8.50</b>
DN200 (8")	168	237	34,5	16	60	356	17	F10	102		4 x d12		PN16	16.00
DN250 (10")	207	268,3	34,5	16	68	356	22	F10	102		4 x d12		PN16	21.00
DN300 (12")	243,5	308,5	34,5	16	78	356	27	F12	125		4 x d14		PN16	31.00

Item 1	Item 2	Item 3	Item 4
Body Material	Seat Material	Disc Material	Actuator Material
Cast iron : GG25 + Epoxy coating	NBR	Stainless steel : CF8M	Maellable iron

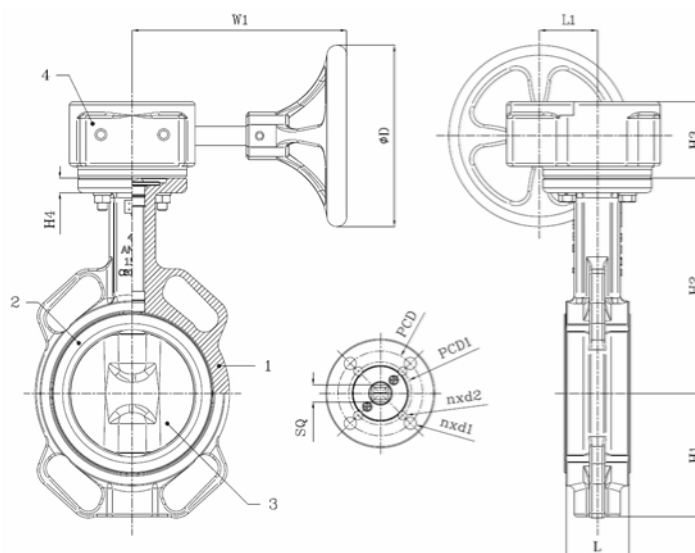
## BV10-2366B-PN10/PN16/A150 - Gearbox

Wafer type butterfly valve, mounting between flanges PN10/PN16/A150, with gearbox

Face to Face Standard: EN 558-1 Table 1 series 20



Item Number	Belven Ref
101026B3050	BV10-2366B-PN16-DN050 - GEARBOX
101026B3065	BV10-2366B-PN16-DN065 - GEARBOX
101026B3080	BV10-2366B-PN16-DN080 - GEARBOX
101026B3100	BV10-2366B-PN16-DN100 - GEARBOX
101026B3125	BV10-2366B-PN16-DN125 - GEARBOX
101026B3150	BV10-2366B-PN16-DN150 - GEARBOX
101026B3200	BV10-2366B-PN16-DN200 - GEARBOX
101026B3250	BV10-2366B-PN16-DN250 - GEARBOX
101026B3300	BV10-2366B-PN16-DN300 - GEARBOX



DN/Size	D	H1	H2	H3	L	L1	W1	SQ	ISO	PCD	PCD1	n x d1	n x d2	Press.Cl.	Weight(kg)
DN50 (2")	150	71,4	142,7	56,5	43	45	173,5	11	F05/F07	70	50	4 x d10	4 x d7	PN16	8.50
DN65 (2 1/2")	150	77,8	155,4	56,5	46	45	173,5	11	F05/F07	70	50	4 x d10	4 x d7	PN16	9.20
DN80 (3")	150	89	161,8	56,5	46	45	173,5	11	F05/F07	70	50	4 x d10	4 x d7	PN16	9.60
DN100 (4")	150	102	178	56,5	52	45	170	14	F07	70		4 x d10		PN16	11.10
DN125 (5")	150	123	190,5	56,5	56	45	170	14	F07	70		4 x d10		PN16	13.00
DN150 (6")	150	138	205,2	56,5	56	45	170	14	F07	70		4 x d10		PN16	13.80
DN200 (8")	300	168	237	80,5	60	63	237	17	F10	102		4 x d12		PN16	22.50
DN250 (10")	300	207	268,3	80,5	68	63	237	22	F10	102		4 x d12		PN16	29.00
DN300 (12")	300	243,5	308,5	80,5	78	78	225	27	F12	125		4 x d14		PN16	40.50

Item 1	Item 2	Item 3	Item 4
Body Material	Seat Material	Disc Material	Actuator Material
Cast iron : GG25 + Epoxy coating	NBR	Stainless steel : CF8M	Cast iron

## BV10-2366B-PN10/PN16/A150 - Double Acting

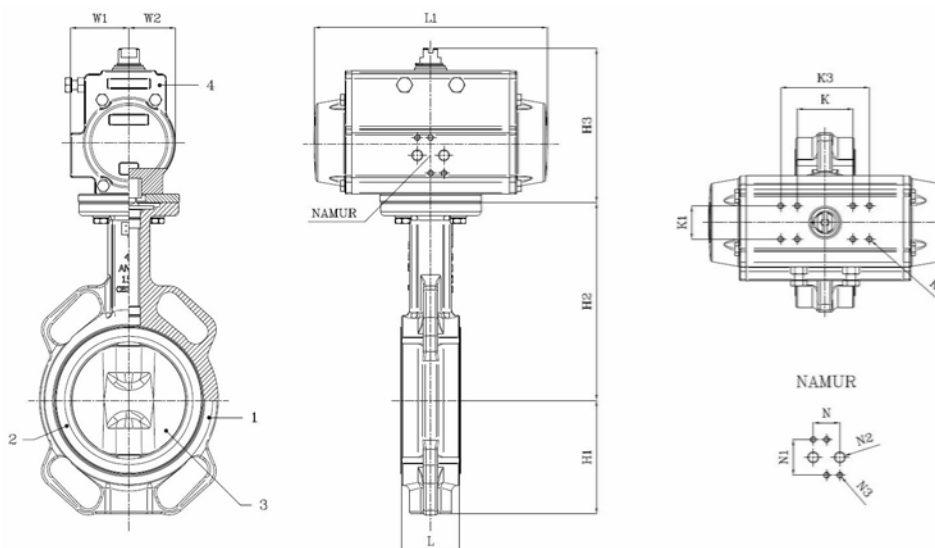
Wafer type butterfly valve, mounting between flanges PN10/PN16/A150, with double acting actuator

Face to Face Standard: EN 558-1 Table 1 series 20

The actuator is selected for 20°C water with a pressure drop of 6 bar with 6 bar supply air pressure and minimum 1 cycle per week



Item Number	Belven Ref
101026BDA20050	BV10-2366B-PN16-DN050 - DA052
101026BDA20065	BV10-2366B-PN16-DN065 - DA052
101026BDA20080	BV10-2366B-PN16-DN080 - DA063
101026BDA20100	BV10-2366B-PN16-DN100 - DA075
101026BDA20125	BV10-2366B-PN16-DN125 - DA075
101026BDA20150	BV10-2366B-PN16-DN150 - DA100
101026BDA20200	BV10-2366B-PN16-DN200 - DA115
101026BDA20250	BV10-2366B-PN16-DN250 - DA125
101026BDA20300	BV10-2366B-PN16-DN300 - DA140



DN/Size	H1	H2	H3	K	K1	K2	K3	L	L1	N	N1	W1	W2	N2	N3	Press.Cl.	Weight(kg)
DN50 (2")	71,4	142,7	113,5	80	30	M5		43	141	24	32	41	30	1/8"	M5	PN16	3.90
DN65 (2 1/2")	77,8	155,4	113,5	80	30	M5		46	141	24	32	41	30	1/8"	M5	PN16	4.60
DN80 (3")	89	161,8	125	80	30	M5		46	164	24	32	45	35,5	1/8"	M5	PN16	5.50
DN100 (4")	102	178	137	80	30	M5		52	210	24	32	52,5	42	1/8"	M5	PN16	8.20
DN125 (5")	123	190,5	137	80	30	M5		56	210	24	32	52,5	42	1/8"	M5	PN16	10.10
DN150 (6")	138	205,2	164,8	80	30	M5		56	275	24	32	68	55	1/4"	M5	PN16	13.60
DN200 (8")	168	237	205,9	80	30	M5	130	60	333	24	32	73	64	1/4"	M5	PN16	22.70
DN250 (10")	207	268,3	209,4	80	30	M5	130	68	372	24	32	80	68	1/4"	M5	PN16	30.30
DN300 (12")	243,5	308,5	232	80	30	M5	130	78	435	24	32	87,5	76,5	1/4"	M5	PN16	45.10

Item 1	Item 2	Item 3	Item 4
Body Material	Seat Material	Disc Material	Actuator Material
Cast iron : GG25 + Epoxy coating	NBR	Stainless steel : CF8M	Extruded aluminium

## BV10-2366B-PN10/PN16/A150 - Single Acting (AFC)

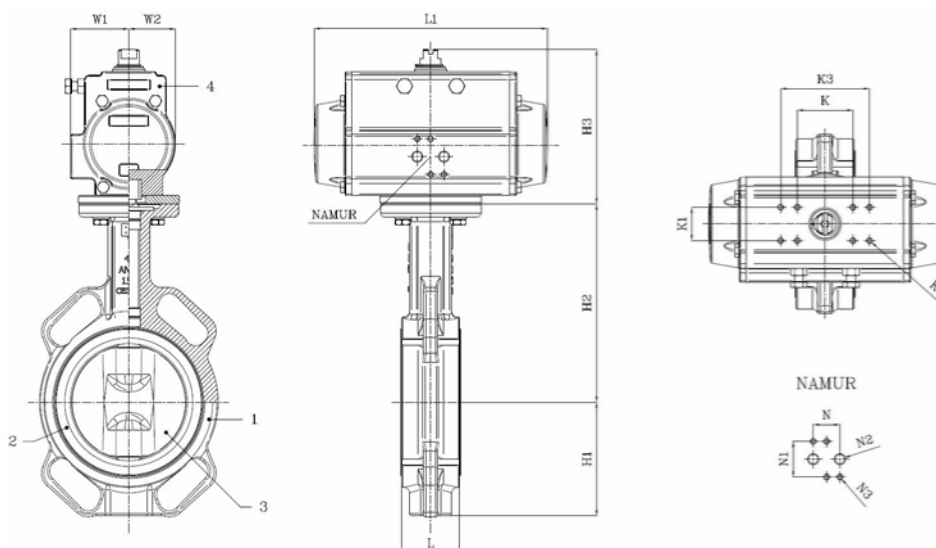
Wafer type butterfly valve, mounting between flanges PN10/PN16/A150, with spring return actuator AFC

*Face to Face Standard:* EN 558-1 Table 1 series 20

The actuator is selected for 20°C water with a pressure drop of 6 bar with 6 bar supply air pressure and minimum 1 cycle per week, at air pressure failure the springs will put the valve in closed position



Item Number	Belven Ref
101026BSR20050	BV10-2366B-PN16-DN050 - SR075
101026BSR20065	BV10-2366B-PN16-DN065 - SR075
101026BSR20080	BV10-2366B-PN16-DN080 - SR085
101026BSR20100	BV10-2366B-PN16-DN100 - SR100
101026BSR20125	BV10-2366B-PN16-DN125 - SR115
101026BSR20150	BV10-2366B-PN16-DN150 - SR125
101026BSR20200	BV10-2366B-PN16-DN200 - SR160
101026BSR20250	BV10-2366B-PN16-DN250 - SR180
101026BSR20300	BV10-2366B-PN16-DN300 - SR200



DN/Size	H1	H2	H3	K	K1	K2	K3	L	L1	N	N1	W1	W2	N2	N3	Press.Cl.	Weight(kg)
DN50 (2")	71,4	142,7	138,5	80	30	M5		43	210	24	32	52,5	42	1/8"	M5	PN16	7.00
DN65 (2 1/2")	77,8	155,4	138,5	80	30	M5		46	210	24	32	52,5	42	1/8"	M5	PN16	7.50
DN80 (3")	89	161,8	152,4	80	30	M5		46	240,5	24	32	58,5	47,5	1/8"	M5	PN16	9.20
DN100 (4")	102	178	165,2	80	30	M5		52	275	24	32	68	55	1/4"	M5	PN16	12.60
DN125 (5")	123	190,5	192,4	80	30	M5	130	56	333	24	32	73	64	1/4"	M5	PN16	18.90
DN150 (6")	138	205,2	204,4	80	30	M5	130	56	372	24	32	80	68	1/4"	M5	PN16	23.40
DN200 (8")	168	237	256	80	30	M5	130	60	500	24	32	99	87	1/4"	M5	PN16	47.30
DN250 (10")	207	268,3	363	80	30	M5	130	68	493	24	32	115	98	1/4"	M5	PN16	64.40
DN300 (12")	243,5	308,5	408	80	30	M5	130	78	578,5	24	32	109	108	1/4"	M5	PN16	88.10

Item 1	Item 2	Item 3	Item 4
Body Material	Seat Material	Disc Material	Actuator Material
Cast iron : GG25 + Epoxy coating	NBR	Stainless steel : CF8M	Extruded aluminium