



Operation Manual

Series 47K Gas Detector [SIL 2]



Order No.: 10052472/13

For the Declaration of Conformity, please visit the product page on ***MSAsafety.com***.



Schlüsselstrasse 12
8645 Rapperswil-Jona
Switzerland

Contents

1.	Safety Regulations	6
1.1.	Correct Use	6
1.2.	Liability Information	6
1.3.	Application, advice and restrictions	7
2.	Description	8
2.1.	General	8
2.2.	Principle of Operation	9
2.3.	Technical Specification	9
3.	Installation.....	11
3.1.	Installation – Step by Step	11
3.2.	Unpacking	11
3.3.	General Installation Instructions for achieving EMC compliance	11
3.4.	Recommended Torque and Terminal Sizes	12
3.5.	Electrical Connection to the Control Unit	13
3.5.1	Junction Box terminals	13
3.5.2	Maximum cable length	13
3.6.	Electrical connections	14
4.	Start-up.....	14
5.	Maintenance and Service.....	15
5.1.	Calibration	15
5.1.1	Zero calibration	16
5.1.2	Span calibration	16
5.1.3	Calibration with Accessories	16
5.2.	Sensor replacement	17
5.3.	Series 47K-ST, Series 47K-HT, Series 47K-PRP:.....	18
5.3.1	47K-ST.....	19
5.3.2	47K-HT	20
5.3.3	47K-PRP.....	20

6.	Accessories	23
6.1.	Calibration Cap	23
6.2.	Weather Protection Cap	23
6.3.	Flow Through Adapter / Pump Adapter	24
6.4.	Duct Mount Flange	25
6.5.	Pipe Mounting Kit	26
6.5.1	Mounting kit for pipes with a diameter of up to 50 mm	26
6.5.2	Mounting kit for pipes with a diameter from 50 mm to 150 mm	27
6.6.	Remote Calibration Adaptor (CalGard)	27
6.6.1	Installation	28
6.6.2	Operation	29
7.	Markings, Certificates and Approvals	30
7.1.	According to the Directive 2014/34/EU [ATEX]	30
7.1.1	SERIE 47K-ST, SERIE 47K-PRP, SERIE 47K-HT, SERIE 47K-HT-PRP ...	30
7.1.2	Junction Box Typ S47K and X Series AL Junction Box	31
7.2.	According to IECEx	32
7.3.	Special conditions for SIL 2 according to TUV Certificate 968 / EZ 392.00/09	33
8.	Ordering Information.....	35
8.1.	Gas Detector (sensor + junction box).....	35
8.2.	Gas Detector, calibrated with certified MSA gas controllers.....	35
8.3.	Sensor.....	35
8.4.	Junction Box.....	36
8.5.	Accessories.....	36
9.	Dimensions	37
9.1.	Gas Detector (Ex e Junction Box)	37
9.2.	Gas Detector (Ex d Junction Box)	38
9.3.	S47K adapter plate (junction box)	39
9.4.	Wall mounted bracket, Sensor 47K-HT and 47K-HT-PRP	39
9.5.	Junction Box ATEX 100 °C; Sensor 47K-HT and 47K-HT-PRP	40
9.6.	Pipe Mounting Kit	41
9.6.1	Mounting kit for pipes with a diameter of up to 50 mm	41
9.6.2	Mounting kit for pipes with a diameter from 50 mm to 150 mm	42

9.7.	Remote Calibration Adaptor	43
10.	Wiring Diagrams	44
10.1.	MSA Control Unit SUPREMA	44
10.1.1	Series 47K-ST/-PRP/-HT/-HT-PRP [3-wire].....	44
10.1.2	Series 47K-ST/- PRP/-HT/-HT-PRP [5-wire].....	45
10.2.	MSA Control Unit ED 090 SMD / E 292	45
10.2.1	Series 47K -ST/-PRP/-HT [3-wire].....	45
10.2.2	Series 47K-ST-PRP/-HT [5-wire]	46
10.3.	MSA Control Unit 9010 / 9020 Series.....	46
10.3.1	Series 47K-ST/-PRP/-HT/-HT-PRP [3-wire] Channel A	46
10.3.2	Series 47K-ST/-PRP/-HT/-HT-PRP [3-wire] Channel B	47
10.4.	MSA control unit Gasgard XL.....	47
10.4.1	Series 47K-ST / -PRP [3-wire].....	47
10.4.2	Series 47K-HT/-HT-PRP	48
10.5.	Wiring Diagram Sensor 47K-HT/-HT-PRP with Junction Box ATEX 100 °C	48

1. Safety Regulations

1.1. Correct Use

The MSA Gas Detector Series 47K is designed to continuously monitor the atmosphere for the presence of potentially explosive gas or vapour in air in the range 0 to 100%LEL.

It is designed for use as an integral part of an MSA fixed gas detection system for the protection of industrial plant and workers.

It is imperative that this operating manual be read and observed when using the system. In particular, the safety instructions, as well as the information for the use and operation of the apparatus, must be carefully read and observed.

Furthermore, the national regulations applicable in the user's country must be taken into account for a safe use.



Danger

This product is supporting life and health. Inappropriate use, maintenance or servicing may affect the function of the device and thereby seriously compromise the user's life.

Before use, the product operability must be verified. The product must not be used if the function test is unsuccessful, it is damaged, a competent servicing/maintenance has not been made, genuine MSA spare parts have not been used.

Alternative use, or use outside this specification will be considered as non-compliance. This also applies especially to unauthorised alterations to the apparatus and to commissioning work that has not been carried out by MSA or authorised persons.

1.2. Liability Information

MSA accepts no liability in cases where the product has been used inappropriately or not as intended. The selection and use of the product are the exclusive responsibility of the individual operator.

Product liability claims, warranties also as guarantees made by MSA with respect to the product are voided, if it is not used, serviced or maintained in accordance with the instructions in this manual.

1.3. Application, advice and restrictions

This Manual should be carefully read by those responsible for use and maintenance of the gas detection and monitoring system.

- The series 47K catalytic sensor is suitable for the detection of gases or vapours in air with a concentration below the Lower Explosive Limit [LEL].
- The series 47K catalytic sensor cannot measure concentrations of gases or vapours in inert atmospheres or oxygen deficient atmospheres. The European standard EN 60079-29-2 indicates an Oxygen concentration higher than 10 Vol. % is necessary for correct operation of catalytic sensors.

**Attention**

The certification does not permit use of the series 47K sensor in oxygen enriched atmospheres.

- The series 47K catalytic sensors can be poisoned by high levels or long exposure to certain substances present in the atmosphere being monitored. When a catalytic sensor is installed in a place where those substances may be present, to ensure the correct operation and measurement accuracy the sensor should be calibrated more frequently.
- The sensitivity of the series 47K catalytic sensors is reduced by the presence of silanes, silicates, silicones, tetraethyl lead, halogen compounds, sulphurous compounds, organic-phosphorous compounds and compounds containing: fluorine, chlorine, iodine or bromine, therefore the sensors must be recalibrated after exposure to these substances.
- The series 47K sensor opening [sintered disc] must be protected against water, dust and mechanical damage. During painting operations in the area where the sensor is installed, avoid traces of paint on the sensor opening. The paint must not interfere with the diffusion process.
- Note that the sensor opening [sintered disc] must always face downwards.
- If the series 47K-PRP sensor is operated with a control module E 292 a non standard linearization is necessary. Please contact your local MSA after sales service.
- After having exceeded the full scale value an increased display of measured values can appear temporarily. During this period no calibration must be performed.

The only method of verifying the correct operation of the sensor is to carry out a span check using a known concentration of calibration gas in air.



For response curves contact your national MSA office.

2. Description

2.1. General

The MSA Gas Detector Series 47K is designed to continuously monitor the atmosphere for the presence of potentially explosive gas or vapour in air in the range 0 to 100% LEL.

It is designed for use as an integral part of an MSA fixed gas detection system for the protection of industrial plant and workers.

- Typical areas where the MSA Series 47K Gas Detector can be used include:
- The chemical and petrochemical industry
- The paint and solvent-processing industry
- The gas-processing industry
- The steel-processing industry
- Municipal areas
- The Production, Warehousing, Distribution, Shipping and processing of gases and vapours

The MSA Series 47K Gas Detector consists of the Series 47K catalytic sensor and the junction box that contains the terminal board.

There are two versions of the junction box available:

- Flameproof [Ex d] with $\frac{3}{4}$ " NPT cable gland thread.
- Increased safety [Ex e] with metric M25 cable gland thread

The following Sensor Versions are available:

- Series 47K-**ST**: **ST**andard [100% LEL]
- Series 47K-**PRP**: **P**oison **R**esistant **P**ellistor [100% LEL]
- Series 47K-**HT**: **H**igh **T**emperature [100% LEL]
- Series 47K-**HT-PRP**: **H**igh **T**emperature **P**oison **R**esistant **P**ellistor [100 % UEG]

All versions are available in Stainless Steel 316.

Four accessories are available to allow easy calibration and to adapt the gas detector to various applications:

- Calibration cap
- Flow through adapter
- Duct mount flange
- Weather protection cap with remote calibration capability

2.2. Principle of Operation

The MSA 47K series of sensors operate on the principle of catalytic combustion. The sensing element consists of a pair of filaments ["pellistors"] connected to a pair of precision resistors to form a Wheatstone bridge.

One of the filaments, the detector, is coated with a catalyst, whilst the other, the compensator is used as a reference to achieve the best stability.

The gas or vapour diffuses through a porous Stainless Steel sintered disc, which acts as a flashback arrestor. When gas comes into contact with the surface of the detector filament, it is oxidised. The heat generated by the reaction increases the temperature of the detector, which results in a change of the detector electrical resistance, and hence an unbalance of the Wheatstone bridge. The result is an output signal directly proportional to the concentration of the flammable gas or vapour. The signal is processed by an MSA controller designed to display the gas concentration, actuate alarms and provide a suitable output signal to activate subordinated external measurement data acquisition systems.

2.3. Technical Specification

The Series 47K combustible gas sensors are designed to meet the rigorous requirements of ATEX Directive 2014/34/EU for fixed gas detection installations.

Sensor

Power consumption	1 Watt, typically	
Linear dynamic Range	Standard & PRP & HT-Sensor: 0–100% LEL	
Response Time	$t_{50} \leq 10$ sec for propane + methane $t_{90} \leq 20$ sec for propane + methane For other gases or vapours the response time may be longer.	
Typical sensitivity	Standard-sensor	methane: 20 mV/vol.%; propane: 28 mV/vol.%;
	PRP- sensor	methane: 12 mV/vol.%; propane: 16 mV/vol.%;
	HT- sensor	methane: 20 mV/vol.%; propane: 28 mV/vol.%;
	HT-PRP- Sensor	methane: 12 mV/vol.%; propane: 16 mV/vol.%;
Operating Configuration	Wheatstone Bridge circuit	
Operating Mode	Constant current	
	Sensor current	310 mA for 47K-ST and -PRP, 280 mA for 47K-HT and -HT-PRP.
	V_{max}	10 V

Operating life time	3 Years, in clean air, typically
Storage life time	5 Years, in MSA container, typically
Storage Temperature Range	-20 °C to +40 °C**
Operating Temperature Range	Standard-sensor -25 °C to +55 °C PRP- sensor -40 °C to +55 °C Extended range *) HT- sensor -40 °C to +160 °C HT-PRP sensor -40 °C to +160 °C
Operating Humidity Range	5% to 95% RH non-condensing
Operating Pressure Range	800–1200 hPa
Air velocity	Air velocity 0–6 m/s [with duct mount flange: 0.5–20 m/s]
Poison Resistance	PRP sensor and HT-PRP sensor: 10 ppm HMDS for 40 min. [max. signal loss 5% of reading]
Dimension	Ø 36 x 56 mm
Weight	< 230 g
Material	St. St. 316
Accessory thread	M36 x 1.5 mm
Sensor to junction box	¾" NPT or M25 x 1.5 mm

*) Extended range: The sensor extended temperature range is greater than the maximum specified in EN 60079-29-1. It is therefore strongly recommended that if used above +55°C or below -25°C the sensor is calibrated at the operating temperature.

***) The storage temperature range is also valid for spare parts and accessories

3. Installation

3.1. Installation – Step by Step

- (1) Unpack and inspect the device or its components.
- (2) Check the suitability of the installation site and the cabling requirements.
- (3) Install the sensors and connect the wiring to the MSA control unit.
- (4) The installation of the sensor must be performed according to standard EN 60079-14 or according to applicable national standards.

**Warning**

Follow the installation instructions for hazardous areas!

- (5) After installation is complete, perform the start-up procedure as instructed in the relevant MSA controller manual.

3.2. Unpacking

Perform the following steps on receipt of the shipment:

- (1) Carefully unpack the device or its components, observing all of the instructions printed on or accompanying the packaging.
- (2) Also inspect the contents of the delivery to determine if any transport damage has occurred and verify that everything listed in the shipping papers has been received.

3.3. General Installation Instructions for achieving EMC compliance

- For connection to the power supply system a fault-free ground or fault-free equipotential bonding must be provided.
- An appropriate supply voltage free of feedback to the external source in accordance with the EMC Directives (2014/30/EU) must be used.
- If the devices are supplied from a direct voltage [dc] source, the supply cable must be screened.
- Screened cable is to be used to connect the sensor signal.
- Screened cable must have at least 80% coverage by the screening.
- Sensor cables must be installed physically separate from power supply cables.
- Screened cables must be installed in one piece. If it should prove necessary to extend a cable by way of a terminal box, the terminal box must be screened, and the connections in the box must be kept as short as possible.
- Unscreened cables and cables from which the insulation has been stripped must be as short as possible and must be terminated without loops.
- If additional high-voltage surge protection measures are required an appropriate high-voltage protection filter, approved by MSA, must be installed in the sensor cable.

- Strict adherence to the specifications and regulations applicable to installation, start-up, operation, and maintenance is required.
- Follow the installation instructions for hazardous areas.
- The specified environmental conditions must be adhered to.
- Position the height of the MSA Gas detector Series 47K according to the density of gas or vapour to be measured.
- The proper installation location must be chosen to ensure that the sintered disc of the MSA Gas detector Series 47K is kept dry and dust-free.
- The sintered disc must always face downwards.
- The MSA Gas detector Series 47K must never be covered with paint, grease or similar.
- These substances prevent diffusion, of the atmosphere to be monitored, to the sensing elements.

3.4. Recommended Torque and Terminal Sizes

Cable gland size	Connection thread	Pressing screw	Terminal sizes
M25 x 1,5	3,0 Nm	2,0 Nm	7-12/10-17* mm

* To be able to use size M25 x 1,5 for terminal sizes 10-17 mm, remove the small sealing ring.

3.5. Electrical Connection to the Control Unit

3.5.1 Junction Box terminals

Screw terminals: cross section 0,5 -2,5 mm²

Spring terminal: cross section 0,5 -1,5 mm²

3.5.2 Maximum cable length

The maximum cable length depends on the maximum permissible load, the cross section of the conductor and the conductor material.

The maximum permissible load [loop resistance] is 36 ohms for the MSA Control units SUPREMA, E 292 and ED 090 SMD [for MSA Control unit 9010/9020 refer to the control unit manual].

$$\text{Maximum cable length: } L = \frac{R \times k \times A}{2}$$

L = cable length in metres [loop]

R = maximum permissible load in ohms

A = cross sectional area of conductor in mm²

k = conductivity of copper at 20°C [1/Resistivity]

Example: R = 36 ohms, A = 0.75 mm², k = 56 m ohms⁻¹ mm⁻²

$$L = 36 \times 56 \times 0.75 / 2 = 756 \text{ m}$$

Wire cross section	Maximum Load [max. cable resistance]	Maximum Length	Remarks
0.75 mm ²	36 Ohm	750 m	Screened cable is required.
1.5 mm ²	36 Ohm	1,500 m	

For detailed information refer to the relevant MSA controller manual.

3.6. Electrical connections

**Warning**

Installation should only be carried out by suitably qualified personnel.

- During installation all relevant codes of practice and National wiring regulations should be complied with especially in places where there is a risk of explosion and fire. [Classified areas]
- Refer to the MSA controller instruction manual for the sensor connection details.
- Where an earth connection to the junction box/sensor is required use the earth terminal provided on the outside of the junction box.

The sensor connections are shown in Section 10, Wiring diagrams.

4. Start-up

**Warning**

Installation should only be carried out by suitably qualified personnel.

Before applying power ensure that all installation steps have been correctly carried out and the cable connections and controller configuration are correct.

**Caution**

Ensure that the sensor current is correctly set to 310 mA for the 47K-ST and 47K-PRP and 280mA for the 47K-HT and 47K-HT-PRP.

Allow a warm-up time of at least 30 minutes before calibrating the gas sensor. Perform an initial calibration following the instructions in section 5.1 “Calibration” and the manual for the relevant MSA controller.

5. Maintenance and Service

There are no serviceable or adjustable parts within the sensor assembly and any attempt to dismantle the assembly or access it will invalidate the sensor approvals and manufacturers guarantee.

Maintenance and service may only be performed by authorised and suitably qualified personnel.



Caution

To guarantee the nonambiguity of the series 47K catalytic sensor operation ensure [e.g. by check with hand-held test instruments] each time before turning on the sensors that the atmosphere to be monitored by the sensors is free of combustible gases.

Maintenance must be performed according to standards EN 60079-17 [gas] and EN 61241-14 [dust] or according to applicable national standards.

5.1. Calibration

According to EN 60079-29-2 the combustible gas detectors must be checked at regular intervals to ensure that it is functioning properly in accordance with the applicable international, national, industry-specific or company regulations.

The sensitivity and zero point of the sensor must be adjusted as necessary [every 6 months at the latest] in accordance with the operating instructions for the type of sensor and controller it is connected to.

Sensors that are no longer able to generate the minimum signal must be replaced [see relevant controller manual].

Allow a warm-up time of at least 30 minutes for the sensor to stabilise, before calibration is performed.

Calibrating the Gas Detectors 47K-HT und 47K-HT-PRP

These gas detectors must be calibrated at their ambient working temperature using the flow through adaptor [please refer to 5.1.3 Calibration with accessories].

The specified temperature range of the 47K-HT and the 47K-HT-PRP gas detectors is -40°C to +160°C and the bridge operating current is 280 mA.

5.1.1 Zero calibration

- Apply zero gas to the sensor using the appropriate calibration adapter.
- Wait for approximately 2 minutes or until the sensor reading has stabilised.
- Adjust the controller until the correct reading is obtained.

Gas flow rate : 1.0 l/min

Zero gas : synthetic air or component-free ambient air

5.1.2 Span calibration



See also Section 5.3.

- Apply span calibration gas to the sensor using the appropriate calibration adapter.
- After the reading has stabilised adjust the controller until the correct reading is obtained.
- Remove calibration adapter.

Gas flow rate : 1.0 l/min

Stabilisation time : depending on gas type between 2 and 4 min



Caution

Use span gas with a concentration of approximately 50% of the measuring range. In no case should the span gas concentration be less than 25% of the full scale value of the measuring range.

If possible, the span gas [the gas used to calibrate the sensor] and the measurement gas [the gas to be monitored] should be identical. If this is not the case and a reference gas is used, the response factor of the gas used must be known.

5.1.3 Calibration with Accessories

Calibration of Gas detectors used with duct mount flange, flow through adapter or weather protection cap should be carried out as described above using the particular gas inlets of the accessories.

Gas flow rate : 1.0 l/m

5.2. Sensor replacement



Caution

In a hazardous area, ensure all necessary precautions are taken before opening the junction box. Replacement of the sensor or other parts should only be carried out by suitably qualified personnel.

After checking if it is possible to carry out operation, according to the type of danger in the area where the gas detector is installed, proceed as follows:

- (1) Disconnect the power supply to the gas detector at the Control unit.
- (2) Remove the sensor junction box cover.
- (3) Note the wire colours and numbering of the terminal board and disconnect the sensor wires.
- (4) Unscrew the sensor from the junction box.
- (5) Screw the new sensor into the junction box using the correct size of tool across the hexagon flats.
- (6) Connect the sensor wires to the terminal block and ensure they are connected to the correct terminals.

Refer also to the wiring diagram in Section 10.

Close the sensor junction box cover and ensure that the gas detector is in compliance with all relevant safety regulations and directives.

5.3. Series 47K-ST, Series 47K-HT, Series 47K-PRP:

For the gases or vapours shown in the tables of Section 5.3.1, 5.3.2 and 5.3.3 the response curves have been tested according to EN 61779-1. If the LEL of a substance was not listed in EN 61779-1, the LEL has been taken from the Chemsafe data base [Dechema, Frankfurt]. Due to legal requirements other locally used LEL values might be mandatory.

It is highly recommended that the gas detector is exposed to clean air when calibrating the zero and a mixture of the target gas in air with a concentration of approximately 50% LEL.

If calibration with the target gas is not possible a reference calibration can be performed with 0,85 Vol% Propane C₃H₈ in air and using the relative response data given in the table of Section 5.3.1, 5.3.2 and 5.3.3. These values are only valid for new sensors and, unless otherwise stated, they refer to an ambient temperature of 20°C. If using a reference gas to calibrate the gas detector the displayed values may vary by up to +/- 20% from the target gas concentration.

Reference calibration example for 50% Methanol:

- (1) Relative response factor for Methanol from table in section 5.3.1 = 0.73
- (2) Propane calibration gas concentration being used C₃H₈ = 0.89 Vol%
- (3) Propane volume concentration for 100% LEL = 1.7 Vol%
- (4) Propane calibration gas concentration in % LEL

$$= 0.89 \text{ Vol\% C}_3\text{H}_8 \times \frac{100\% \text{ LEL}}{1.7 \text{ Vol\% C}_3\text{H}_8} = 52.4\% \text{ LEL}$$

- (5) Gas detector span setting = 52.4% LEL x 0.73 = **38.3% LEL**

5.3.1 47K-ST

Relative response factors of tested gases with reference to Propane.

These values are only valid for new sensors and, unless otherwise stated, they refer to an ambient temperature of 20 °C. In this case the displayed values may vary by up to ± 20% from the target gas concentration.

Sample gas	100 % LEL in Vol%	Propane relative response factor	Response time (secs) t_{50}^*	Response time (secs) t_{90}^*
Propane	1.7 Vol%	1.00	≤ 11	≤ 21
2-Butanon	1.8 Vol%	1.15	≤ 11	≤ 27
Acetone	2.5 Vol%	0.96	≤ 11	≤ 21
Acetylene	2.3 Vol%	0.86	≤ 9	≤ 15
Ammonia	15 Vol%	0.36	≤ 12	≤ 23
1,3-Butadiene	1.4 Vol%	1.11	≤ 11	≤ 19
Diethyl ether	1.7 Vol%	1.17	≤ 10	≤ 23
Acetic acid [50 °C]	4.0 Vol%	1.41	≤ 11	≤ 35
Acetic hydride [50 °C]	2.0 Vol%	1.44	≤ 11	≤ 35
Ethane	2.5 Vol%	0.79	≤ 10	≤ 18
Ethanol	3.1 Vol%	0.88	≤ 16	≤ 29
Ethene	2.3 Vol%	0.85	≤ 9	≤ 16
Ethyl acetate	2.2 Vol%	1.11	≤ 11	≤ 26
Ethylene oxide	2.6 Vol%	1.03	≤ 11	≤ 20
Gasoline [FAM-Benzine 65/95]	1.1 Vol%	1.25	≤ 11	≤ 27
i-Butyl acetate	1.3 Vol%	1.46	≤ 13	≤ 34
n-Butyl acetate	1.3 Vol%	1.51	≤ 13	≤ 41
n-Butane	1.4 Vol%	1.09	≤ 11	≤ 22
n-Hexane	1.0 Vol%	1.44	≤ 11	≤ 28
n-Nonane	0.7 Vol%	2.03	≤ 16	≤ 42
n-Pentane	1.4 Vol%	1.09	≤ 11	≤ 24
2-Propanol	2.0 Vol%	1.11	≤ 11	≤ 25
Propene	2.0 Vol%	0.88	≤ 10	≤ 17
Propylene oxide	1.9 Vol%	1.15	≤ 10	≤ 21
Toluene	1.1 Vol%	1.34	≤ 11	≤ 26
Hydrogen	4.0 Vol%	0.5	≤ 9	≤ 13
Xylene [50 °C]	0.96 Vol%	1.57	≤ 13	≤ 33
Cyclo pentane	1.4 Vol%	1.11	≤ 11	≤ 23
Allyl alcohol [50 °C]	2.5 Vol%	0.92	≤ 10	≤ 21
i-Butylene	1.6 Vol%	1.03	≤ 10	≤ 19
i-Butane	1.5 Vol%	1.06	≤ 11	≤ 22
Methanol	5.5 Vol%	0.73	≤ 10	≤ 18
Cyclo hexane	1.2 Vol%	1.21	≤ 18	≤ 36

*) Response times are with a flow through adapter and a gas flow of 1 l/min

5.3.2 47K-HT

Relative response factors of tested gases with reference to Propane.

These values are only valid for new sensors and, unless otherwise stated, refer to an ambient temperature of 110 °C. In this case the displayed values may vary by up to ± 20% from the target gas concentration.

Sample gas	100% LEL in Vol%	Propane relative response factor	Response time [secs] t ₅₀ *)	Response time [secs] t ₉₀ *)]
Propane	1.7 Vol%	1.0	≤ 6	≤ 12
2-Butanon	1.8 Vol%	1.09	≤ 5	≤ 12
Acetone	2.5 Vol%	0.92	≤ 4	≤ 11
Ethanol	3.1 Vol%	0.82	≤ 4	≤ 10
Ethyl acetate	2.2 Vol%	1.11	≤ 6	≤ 12
Toluol	1.1 Vol%	1.32	≤ 6	≤ 12

*) Response times are with a flow through adapter and a gas flow of 1 l/min

5.3.3 47K-PRP

Relative response factors of tested gases with reference to Propane.

These values are only valid for new sensors and, unless otherwise stated, refer to an ambient temperature of 20 °C. In this case the displayed values may vary by up to ± 20% from the target gas concentration. Response times stated in the enclosed table may vary by ± 20% depending on the tolerances of individual sensors.

Sample gas	100% LEL in Vol%	Propane relative response factor	Response time [secs] t ₅₀ *)	Response time [secs] t ₉₀ *)]
Propane	1,7	1.00 ¹⁾	14	24
Acetaldehyde	4	0.64 ²⁾		
Acetic acid	4	1.51 ²⁾		
Acetic anhydride	2	1.56 ²⁾		
Acetone	2,5	0.94 ¹⁾	9	24
Acetylene	2,3	0.76 ²⁾		
Acrylonitrile	2,8	0.75 ²⁾		
Allyl alcohol	2,5	0.90 ²⁾		
Ammonia	15	0.38 ²⁾		
Benzene	1,2	1.21 ²⁾		
1.3-Butadiene	1,4	1.01 ²⁾		

Sample gas	100% LEL in Vol%	Propane relative response factor	Response time [secs] t_{50}^*	Response time [secs] t_{90}^*
i-Butane	1,3	1.20 ²⁾		
n-Butane	1,4	1.09 ²⁾		
1-Butylene	1,6	0.94 ²⁾		
n-Butanol (Butylalcohol)	1,4	1.40 ²⁾		
2-Butanone	1,8	1.13 ¹⁾	12	31
i-Butyl acetate	1,3	1.48 ²⁾		
n-Butyl acetate	1,2	1.56 ²⁾		
Butylbenzene	0.8	3.85 ²⁾		
i-Butylene	1,6	0.93 ²⁾		
Cyclohexane	1	1.49 ²⁾		
Cyclopentane	1,4	1.05 ²⁾		
Diethylether	1,7	1,16 ²⁾		
1.4-Dioxane	1,4	2.22 ²⁾		
Ethane	2,4	0.87 ²⁾		
Ethanol	3,1	0.89 ¹⁾	11	31
Ethylene oxide	2,6	0.99 ²⁾		
Ethene	2,3	0.77 ²⁾		
1-Ethoxy-2 propanol [40°C]	1,3	1.71 ¹⁾	14	46
Ethyl acetate	2,2	1.12 ¹⁾	13	46
Ethyl acrylate	1,4	1.45 ²⁾		
Ethylbenzene	0.8	1.49 ²⁾		
FAM-Benzin 65/95	1,1	1.40 ¹⁾	10	21
Gasoline 65/95				
n-Heptane	0,85	1.75 ²⁾		
n-Hexane	1	1.48 ²⁾		
Hydrogen	4	0.53 ¹⁾	6	16
Methane	4,4	0.55 ²⁾		

Sample gas	100% LEL in Vol%	Propane relative response factor	Response time [secs] t₅₀ *)	Response time [secs] t₉₀ *)]
Methanol	6	0.62 ²⁾		
Methyl tert-butyl ether	1,5	1.12 ²⁾		
n-Nonane	0,7	1.85 ²⁾		
n-Pentane	1,1	1.38 ²⁾		
Propane	1,7	1.00 ¹⁾		
1-Propanol [40°C]	2,2	0.98 ¹⁾	10	50
2-Propanol	2	1.04 ¹⁾	11	25
Propene	2	0.85 ¹⁾	8	19
Propylene oxide	1,9	1.15 ²⁾		
Toluene	1,1	1.22 ¹⁾	15	46
Vinyl chloride	3,6	1.08 ²⁾		
Xylenes	0,9	1.47 ²⁾		

*) Response times are with a flow through adapter and a gas flow of 1 l/min

¹⁾ Response factor defined by DEKRA EXAM

²⁾ Response factor defined by MSA

These are not included in the *EC-Type Examination Certificates DMT 01 ATEX G 001 X, BVS 03 ATEX G 010 X und DMT 03 ATEX G 003 X*

6. Accessories

6.1. Calibration Cap



The calibration cap is pushed on to the front of the sensor and is sealed by an “O” ring. The surface area $S < 20\text{cm}^2$.



Warning

The calibrating cap must be removed after completing the calibration!
The gas is supplied via either of the gas inlets by means of suitable flexible tube.

Gas flow rate: 1.0 l/min

6.2. Weather Protection Cap



The weather protection cap, protecting the sintered disc of the sensor from splash-water, is recommended for outdoor installations. It is available in Stainless Steel 316.

The stainless steel versions are available with hose or pipe connection for remote calibration.

Pipe connection : 1/8" NPT

Gas flow rate : 1.0 l/min

Air velocity : 0 ... 6 m/s

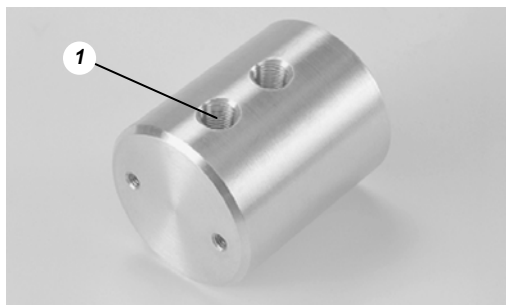
Calibration must only be carried out if wind speed is < 1.5 m/s.

Using the Weather Protection Cap will extend the response time to:

$t_{90} < 80$ sec for methane / $t_{90} < 130$ sec for propane

The signals will be reduced by up to 20% when using the weather protection cap. This must be taken into consideration during calibration and when adjusting alarm levels. The cap must not be used if the incident flow is bottom up.

6.3. Flow Through Adapter / Pump Adapter



Flow Through Adapter

1 Inlet

The flow through adapter is for use with a pumped sampling system. It is available in aluminium or stainless steel 316 and screws on to the front of the Series 47K sensor. The lower of the two gas connection ports must be used for the gas sample inlet.

Gas inlet/outlet thread : 1/8" NPT

Gas flow rate : 1.0 l/min

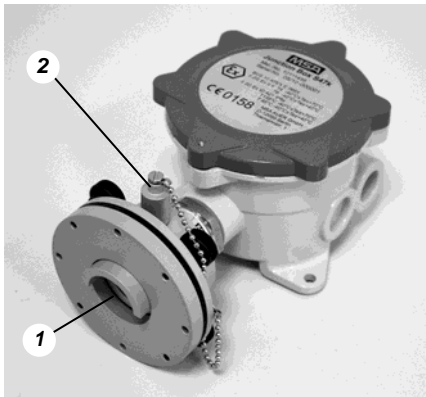
Using the Flow Through Adapter will extend the response time, depending on the gas flow rate.

6.4. Duct Mount Flange

Gas monitoring in air ducts can be performed by means of this duct mount flange. When installing it the direction of flow inside the duct must be towards the baffle as shown in the photograph.

The sensor can be calibrated via the gas calibration port, provided the duct is free of all gases to which the sensor will respond. If the duct cannot be gas freed, the sensor has must be removed form the duct during calibration.

The calibration port must be sealed again with the locking cap after calibration has been carried out.



Duct mount flange

1 Flow

2 Gas calibration port

In this Picture will be the flow from the bottom up.

You should calibrate with the calibration port only during air velocity < 5 m/s for Series 47K-PRP and 47K-HT-PRP or < 8 m/s for Series 47K-ST or Series 47K-HT in the air duct.

The response times given in Chapter 2.3 are for an air velocity of 20 m/s.

Doubling of the response time has to be expected for an air velocity of 0.5 m/s.

Gas flow rate : 1.0 l/min [gas calibration port]

Air velocity : 0.5 ... 20 m/s

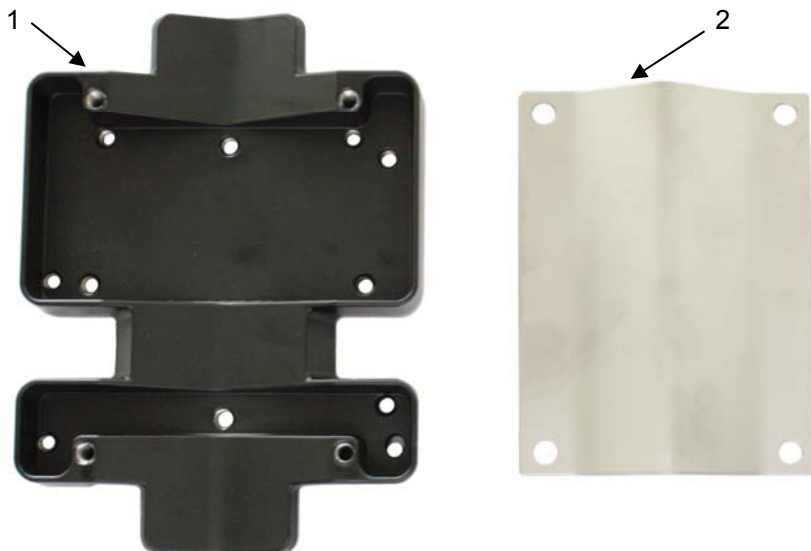
6.5. Pipe Mounting Kit

Note: The pipe mounting kit (P/N 10 113032) is not included in the EC-Type Examination Certificates DMT 01 ATEX G 001 X, BVS 03 ATEX G 010 X and DMT 03 ATEX G 003 X

6.5.1 Mounting kit for pipes with a diameter of up to 50 mm

The S 47K-PRP can be mounted vertically by fastening its legs by means of three screws. Additionally, a pipe mount kit allowing the detector to be fixed to pipes or poles is available as an accessory. The kit consists of:

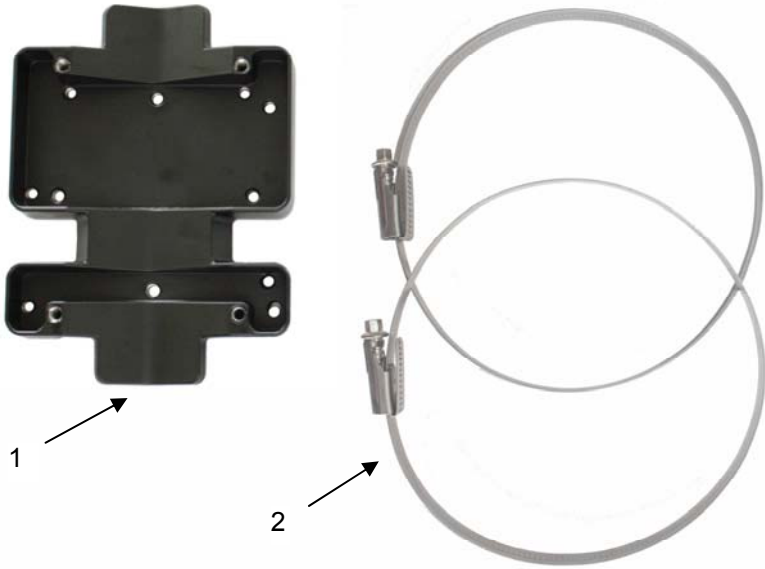
- one universal mounting plate,
- one retaining plate for pipes with a diameter of 20 – 30 mm,
- one retaining plate for pipes with a diameter of 30 – 50 mm,
- two tightening straps for pipes with a diameter of 50 – 150 mm.



1 *Mounting plate*

2 *Pipe clamp*

6.5.2 Mounting kit for pipes with a diameter from 50 mm to 150 mm



1 Mounting plate

2 Pipe clamps

6.6. Remote Calibration Adaptor (CalGard)



Note: Operating the remote calibration adaptor CalGard together with the gas detector model S 47K-PRP is included in the EC-Type Examination Certificates DMT 01 ATEX G 001 X, BVS 03 ATEX G 010 X and DMT 03 ATEX G 003 X.

The CalGard stainless steel remote calibration adaptor provides reliable operation of remotely installed gas detectors working under harsh environmental conditions. Additionally, the CalGard allows remote verification ("bump test") or instrument calibration of gases listed in section 6.6.2 via a hose connection in the presence of wind speeds up to 6 m/s. In normal measurement operation, the ambient air passes through the air vents into the remote calibrator directly to the sensor (diffusion operation). During a bump test or instrument calibration, the test gas is supplied to the sensor via the hose connection at the bottom of the CalGard. An integrated mechanism prevents the dilution and dispersion of test gas otherwise caused by external influences, such as wind. This allows a fast response from the sensor to the applied test gas. To compensate for possible deviations during measurement of flammable gases a calibration factor of 1.05 shall be applied when using the CalGard for remote calibration.

Once calibration is complete, the air inlet reopens to allow the monitoring of ambient air for gas without the need for further user intervention.

6.6.1 Installation

For correct operation, Sensor S47K and CalGard must be used in a vertical position (hose connection pointing downwards). The CalGard remote calibrator can be attached to the sensor by screwing on the thread of the detector.

Note: The tube connector is adapted for tubes with an inner diameter of 5mm.

In general the hose should be as short as possible in order to:

- Minimise the gas volume needed to flush the tube
- Reduce external influences (e.g. temperature shift, pressure, etc.)
- Minimize the lead time

Hose material should be adapted to the applied test gas, have no absorptive or adsorptive properties and should be made from inert material such as teflon or polyethylene. When using the CalGard in the hazardous area, a conductive hose must be used.

Note: The free end of the test gas tube must be closed if no test gas is applied. This is to prevent gas or air passing through the tube to the sensor, distorting the measurement or in the reverse pressure conditions, the ambient atmosphere escapes from the sensor at the free end of the tube.

Note: To ensure proper function the CalGard must be kept dry and free of any contaminants, e.g. dust particles. Regular visual checks are recommended. Any contaminants must be removed by blowing them off with clean, oil-free compressed air or with a dry brush. Ensure that the air entrances are kept free from any coating, e.g. paint, grease or similar.

6.6.2 Operation

Calibration procedure can be carried out as described in chapter 5.1 of this manual.

Note: To compensate for possible deviations during measurement of flammable gases a calibration factor of 1.05 shall be applied when using the CalGard for remote calibration.

Note: When using the CalGard for a remote calibration, the response time of the system increases depending on the length of the test gas tubes used. If the calibration is done automatically via controller, set the calibration setup with sufficiently long countdown times for zero gas and calibration gas.

Example: When using a 10 metre long tube with an internal diameter of 5 mm and applying a gas flow of 1 litre/min, the test gas takes a minimum of 20 sec to reach the CalGard. For safe flushing of CalGard, an additional 10 seconds has to be added to this calculation.

Note: If the CalGard is being used with a control system (i.e. SUPREMA), please ensure the manual for the controller has been read and understood.

Note: The pressure in the test gas tube increases with rising test gas flow rates. A flow rate of 1500 ml/min results in a pressure up to 600 hPa. This has to be considered if a flow meter is used which is affected by the media pressure.

Material:	Stainless steel. 316
Dimensions:	60 x 122 [mm] dia. x height
Weight	0,6 kg
Working temperature:	-30 ° C to +70 ° C
Storage temperature:	-30 ° C to +70 ° C
Maximum wind speed:	up to 6 m/s
Applicable test gases:	H ₂ , CH ₄ , C ₃ H ₈ in air (approval of other gases by MSA on request)
Recommended flow rate:	1.0 l / min
Minimum flow rate:	0,8 l / min
Maximum flow rate:	1.5 l / min
Response times:	CH ₄ t ₅₀ ≤ 15 s, t ₉₀ ≤ 40 s C ₃ H ₈ t ₅₀ ≤ 20 s, t ₉₀ ≤ 55 s

For Part-No. of CalGard refer to section 8.5 of this manual.

For mechanical installations of CalGard refer to section 9.7 of this manual.



7. Markings, Certificates and Approvals

7.1. According to the Directive 2014/34/EU [ATEX]

7.1.1 SERIE 47K-ST, SERIE 47K-PRP, SERIE 47K-HT, SERIE 47K-HT-PRP

Manufacturer	MSA Europe GmbH, Schlüsselstr.12, CH - 8645 Rapperswil-Jona				
Product	Remote Head SERIE 47 K				
EC-Type Examination Certificate:	Ex Sensor	9010/9020	INERIS	03	ATEX 0208
	Controller	Gasgard XL	FTZU	07	ATEX E 0066 X
	Controller	Suprema	DMT	03	ATEX G 003 X
	Controller	9010/9020 SIL	BVS	16	ATEX G 001 X
Type of protection	EN 60079-0 :2012 + A11 :2013, EN 60079-1 :2007, EN 06079-31 :2009				
Performance	EN 60079-29-1 :2007, EN 50271 :2010 National: BG 647 (47K-PRP)				
Gas	measure range : 0-100% LEL				
47K-ST	Methane, Propane,2-Butanone, Acetone, Acetylene, Ammonia, 1,3-Butadiene, Diethyl ether, Acetic acid, Acetic anhydride, Ethane, Ethanol, Ethylene, Ethyl acetat, Ethylene oxide, (FAM-) Standard mineral spirit 65/95, i-Butyl acetate, n-Butyl acetate, n-Butane, n-Hexane, n-Nonane, n-Pentane, 2-Propanol, Propene, Propylene oxide, Toluene, Hydrogen, Xylene, Cyclo pentane, Allyl alcohol, i-Butene, i-Butane, Methanol, Cyclohexane				
47K-PRP	Methane, Propane,2-Butanone, Acetone, Ethanol, Ethylacetat, (FAM-) Standard mineral spirit 65/95, 1-Propanol 2-Propanol, Propene, Toluene, Hydrogen, 1-Ethoxy-2-Propanole				
47K-HT	Methane, Propane, 2-Butanone, Acetone, Ethanol, Ethyl acetate, Toluene				
Special condition	Attend to the special conditions for the for safe use at the manual of the controller units.				
Marking	SERIE 47K-ST, 47K-PRP, 47K-HT, 47K-HT-PRP				
		II 2G Ex d IIC T3 / T4 / T6 Gb T3 -40°C ≤ Ta ≤ +160°C (HT,HT-PRP) T4 -40°C ≤ Ta ≤ +90°C (ST,PRP) T6 -40°C ≤ Ta ≤ +40°C (ST,PRP)			
		II 2D Ex tb IIIB T85°C / T135°C / T200°C Db IP6X T85°C -40°C ≤ Ta ≤ +40°C (ST,PRP) T135°C -40°C ≤ Ta ≤ +90°C (ST,PRP) T200°C -40°C ≤ Ta ≤ +160°C (HT, HT-PRP)			
Quality Assurance Notification	: 0158				
Year of Manufacture	: see label				
Serial Nr.	: see label				

7.1.2 Junction Box Typ S47K and X Series AL Junction Box

Manufacturer	: MSA Europe GmbH, Schlüsselstr.12, CH - 8645 Rapperswil-Jona		
Product	: Junction Box Typ S47K and X Series AL Junction Box		
EC-Type Examination Certificate	: BVS 10 ATEX E 066X		
Standards	: EN 60079-0 :2012 + A11 :2013, EN 60079-1 :2014, EN 60079-7 :2007, EN 60079-31 :2014		
Performance	: see MSA Controller together with sensor serie 47K		
Marking	cable gland: NPT ¼" or M25 x 1,25		
		II 2G Ex db IIC T4/T6 Gb II 2G Ex e IIC T4/T6 Gb II 2D Ex tb IIIB T85°C / T135°C Db IP6X	
Cable gland type HSK-M-Ex-d	T4	-50°C ≤ Ta ≤ +80°C	
	T6	-50°C ≤ Ta ≤ +40°C	
	T85°C	-50°C ≤ Ta ≤ +40°C	
	T135°C	-50°C ≤ Ta ≤ +80°C	
Cable gland type 8161/5-M25-17	T4	-40°C ≤ Ta ≤ +70°C	
	T6	-40°C ≤ Ta ≤ +40°C	
	T85°C	-40°C ≤ Ta ≤ +40°C	
	T135°C	-40°C ≤ Ta ≤ +80°C	
	Junction Box Typ S47K with push button M25 x 1,5		
		II 2G Ex e IIC T4/T6 Gb II 2D Ex tb IIIB T85°C / T135°C Db IP6X	
	T4	-20°C ≤ Ta ≤ +50°C	
	T6	-20°C ≤ Ta ≤ +40°C	
	T85°C	-20°C ≤ Ta ≤ +40°C	
	T135°C	-20°C ≤ Ta ≤ +50°C	
Special conditions:	The connection cable has to be appropriate for the +80°C ambient temperature range. For group III application, the apparatus has to be installed in such a way that process-related electrostatic charges, e.g. caused by media passing by, can be excluded		
Quality Assurance Notification	: 0158		
Year of Manufacture	: see label		
Serial Nr.	: see label		

7.2. According to IECEx

Manufacturer	:	MSA Europe GmbH, Schlüsselstr.12, CH - 8645 Rapperswil-Jona
Product	:	Junction Box Typ S47K and X Series AL Junction Box
IECEX-Type Examination Certificate	:	IECEX BVS 12.0057 X
Standards	:	IEC 60079-0 :2011, IEC 60079-1 :2014, IEC 60079-7 :2006, IEC 60079-31 :2013
Marking		 cable gland: NPT ¾" or M25 x 1,25 Ex db IIC T4/T6 Gb Ex e IIC T4/T6 Gb Ex tb IIIB T85°C / T135°C Db IP6X
Cable gland type HSK-M-Ex-d		T4 -50°C ≤ Ta ≤ +80°C T6 -50°C ≤ Ta ≤ +40°C T85°C -50°C ≤ Ta ≤ +40°C T135°C -50°C ≤ Ta ≤ +80°C
Cable gland type 8161/5-M25-17		T4 -40°C ≤ Ta ≤ +70°C T6 -40°C ≤ Ta ≤ +40°C T85°C -40°C ≤ Ta ≤ +40°C T135°C -40°C ≤ Ta ≤ +80°C
Special conditions:		The connection cable has to be appropriate for the +80°C ambient temperature range. For group III application , the apparatus has to be installed in such a way that process-related electrostatic charges, e.g. caused by media passing by, can be excluded
Quality Assurance Notification	:	0158
Year of Manufacture	:	see label
Serial Nr.	:	see label

7.3. Special conditions for SIL 2 according to TUV Certificate 968 / EZ 392.00/09

Safety relevant parameters for Sensor Type 47K ST / PRP at 25°C_{amb} and for Sensor Type 47K HT and 47K-HT-PRP at 120°C_{amb}:

Type	A
Structure	1oo1
HFT	0
PFD	$1,3 \times 10^{-3}$
HFT	1
PFH	$1,9 \times 10^{-7}$
SFF	75,8 %
MTBF	272946 h
λ tot	3664 fit
λ D	1832 fit
λ DU	886 fit
λ DD	946 fit
MTTR	72 h

Special conditions for the safe use according to SIL 2

1. The application advice and limitations specified in this Manual have to be considered. For calibration and maintenance, the regional and national regulations have to be considered.
2. Applications with High Demand mode are only permitted with redundant configuration. The Control Unit has to activate an alarm by a single sensor.
3. A defective sensor must be changed within 72 hours.
4. The safety related specifications for the MSA passive sensors Series 47K are only valid when used in combination with certified MSA Controllers.
5. A minimum ambient Oxygen concentration of 10 Vol% is necessary for the correct operation of the combustible sensor.
6. The presence of any catalytic poisons has to be avoided for the combustible sensor.
7. A functional check / calibration has to be done for the complete system (Chapter 5).
8. A visual check has to be done monthly.
9. A system check has to be done every year.
10. Calibration and adjustment are part of the function / calibration check.
11. The target gas specified for the measurement has to be used for the test gas. The concentration of the test gas has to be in the middle of the measuring range.
12. Synthetic air has to be used for the zero gas.
13. An adjustment has to be done under the following conditions:
 - a) deviation of the zero > +/- 5 % LEL
 - b) deviation of the sensitivity > +/- 20 % of the test gas concentration
14. If the calibration is within the tolerances allowed, the calibration interval can be doubled.
15. The maximum calibration interval allowed is 16 weeks.
16. The sensor has to be replaced if its sensitivity during operation is reduced to less than 50% of the initial sensitivity.
17. After exposure to a gas concentration above the measuring range, the sensor has to be immediately calibrated / adjusted, regardless of the preset calibration interval. In the case of an adjustment, the sensitivity of the sensor has to be rechecked again after 24 hours.
18. If the presence of any catalytic poisons which affect the correct sensor operation cannot be avoided, the calibration interval has to be considerably reduced.

8. Ordering Information

8.1. Gas Detector (sensor + junction box)

Description	Thread	Junction Box Type	Part-No.
Detector Series 47K-ST <i>Screw terminals</i>	M25 x 1.5	Ex e	10120403
Detector Series 47K-PRP <i>Screw terminals</i>	M25 x 1.5	Ex e	10114106
Detector Series 47K-ST <i>Screw terminals</i>	¾" NPT	Ex d	10120404
Detector Series 47K-PRP <i>Screw terminals</i>	¾" NPT	Ex d	10114107
Detector Series 47K-PRP <i>Housing with pushbutton, Screw terminals</i>	M25 x 1.5	Ex e	10084465
Detector Series 47K-PRP <i>Spring terminals</i>	M25 x 1.5	Ex e	10114109
Detector Series 47K-PRP <i>Spring terminals</i>	¾" NPT	Ex d	10114110

8.2. Gas Detector, calibrated with certified MSA gas controllers

Description	Thread	Part-No.
Detector Series 47K-PRP <i>Screw terminals</i>	M25 x 1.5	10123076
Detector Series 47K-PRP <i>Spring terminals</i>	M25 x 1.5	10123095
Detector Series 47K-PRP <i>Spring terminals</i>	¾" NPT	10178833
Detector Series 47K-PRP <i>Screw terminals</i>	¾" NPT	10178834

8.3. Sensor

Description	Material	Thread	Part-No.
Sensor Series 47K-ST	St.St. 316	M25 x 1.5	10048117
Sensor Series 47K-PRP	St.St. 316	M25 x 1.5	10048118
Sensor Series 47K-HT	St.St. 316	M25 x 1.5	10048199
Sensor Series 47K-HT, 10 m	St.St. 316	M25 x 1.5	10068821
Sensor Series 47K-HT-PRP	St.St. 316	M25 x 1.5	10147537
Sensor Series 47K-ST	St.St. 316	¾" NPT	10048271
Sensor Series 47K-PRP	St.St. 316	¾" NPT	10048272
Sensor Series 47K-HT	St.St. 316	¾" NPT	10048825
Sensor Series 47K-HT-PRP	St.St. 316	¾" NPT	10147542

8.4. Junction Box

Description	Material	For use with Sensor	Part-No.
Ex e, 2 x M25 x 1.5 <i>Screw terminals</i>	Aluminium	47K-ST and 47K-PRP	10114111
Ex e, 2 x M25 x 1.5 <i>Spring terminals</i>	Aluminium	47K-ST and 47K-PRP	10114114
Ex e, 2 x M25 x 1.5, 1 x M22, with pushbutton <i>Screw terminals</i>	Aluminium	47K-ST and 47K-PRP	10114113
Ex d, 2 x ¼" NPT <i>Screw terminals</i>	Aluminium	47K-ST and 47K-PRP	10114112
Ex d, 2 x ¼" NPT <i>Spring terminals</i>	Aluminium	47K-ST and 47K-PRP	10114115
Junction Box ATEX 100 °C	Aluminium	47K-HT and 47K-HT-PRP	10151980

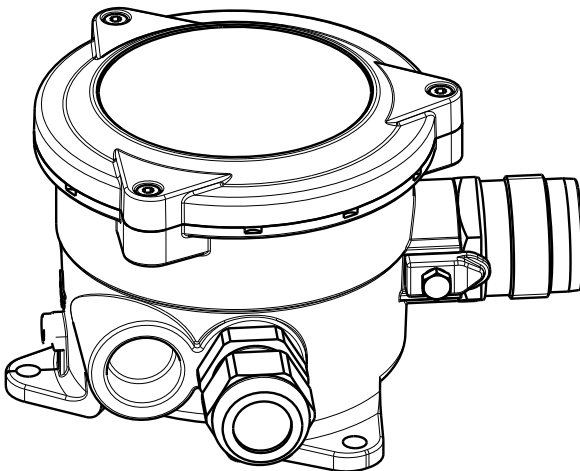
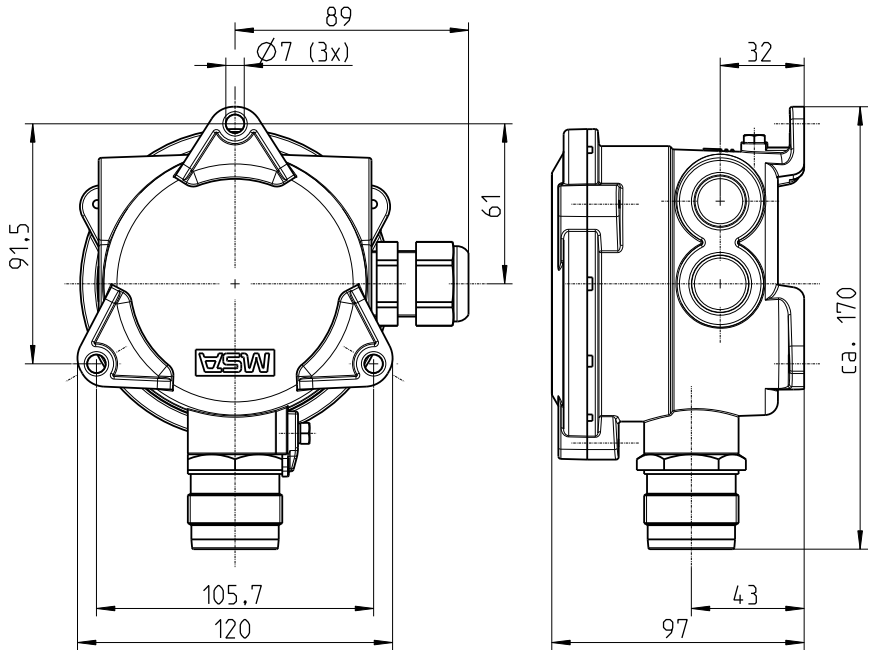
8.5. Accessories

Description	Material	Part-No.
Calibration cap	Plastic	10049316
Weather protection cap/hose connection	St.St. 316	10051623
Weather protection cap/ 1/8" pipe connection	St.St. 316	10051731
Flow through adapter	St.St. 316	10051625
Flow through adapter	Aluminium	10051626
Duct mount flange	St.St. 316	10112790
Wall mounted bracket, Sensor S47-HT/ -HT-PRP	St.St. 316	10048829
S47K adapter plate	St.St. 316	10105760
Remote calibration adaptor	St.St. 316	10150921
Pipe mounting kit	Aluminium	10113032

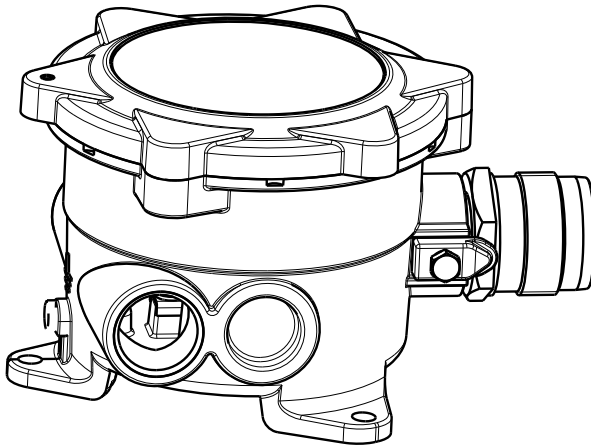
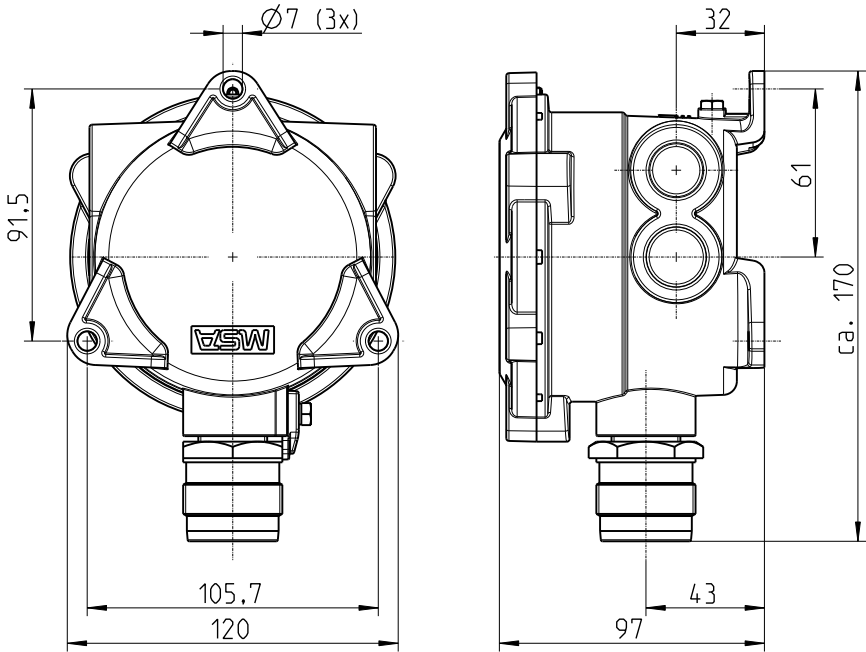
Note: The pipe mounting kit (P/N 10 113032) is not included in the EC-Type Examination Certificates DMT 01 ATEX G 001 X, BVS 03 ATEX G 010 X and DMT 03 ATEX G 003 X

9. Dimensions

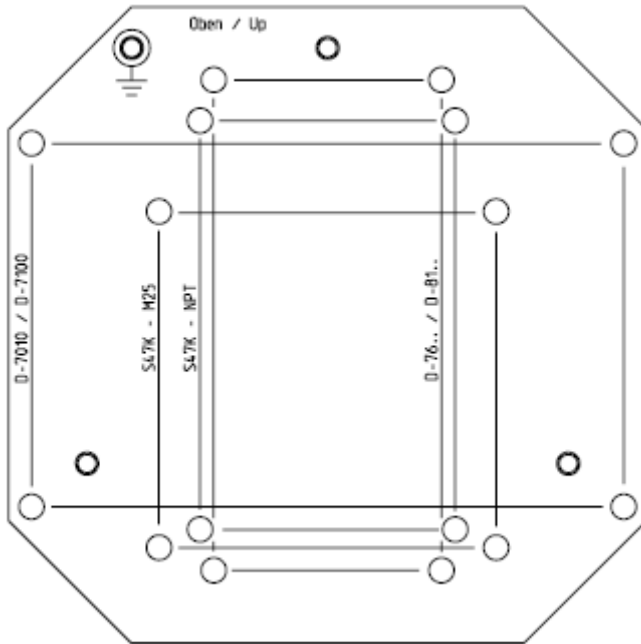
9.1. Gas Detector (Ex e Junction Box)



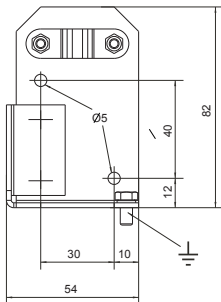
9.2. Gas Detector (Ex d Junction Box)



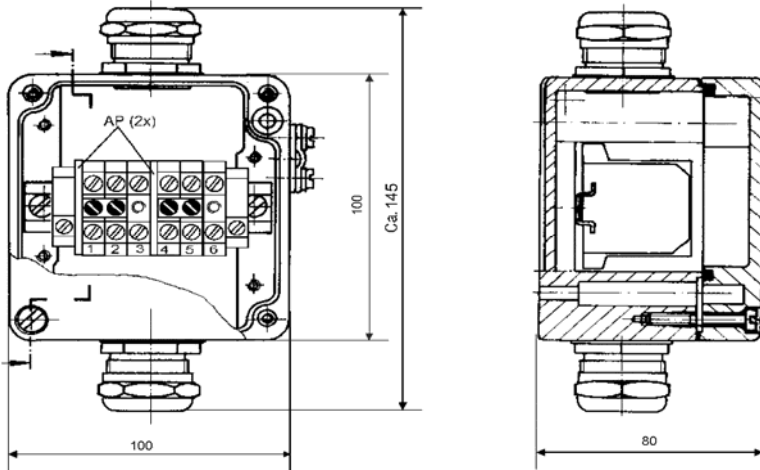
9.3. S47K adapter plate (junction box)



9.4. Wall mounted bracket, Sensor 47K-HT and 47K-HT-PRP

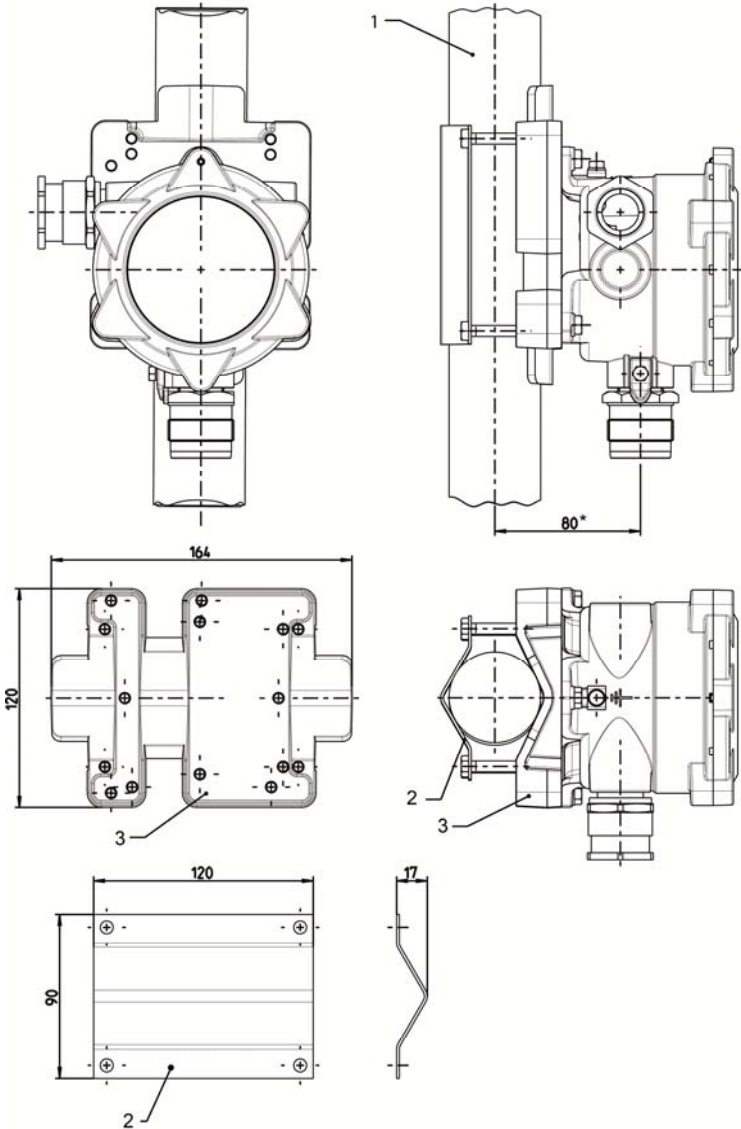


9.5. Junction Box ATEX 100 °C; Sensor 47K-HT and 47K-HT-PRP



9.6. Pipe Mounting Kit

9.6.1 Mounting kit for pipes with a diameter of up to 50 mm



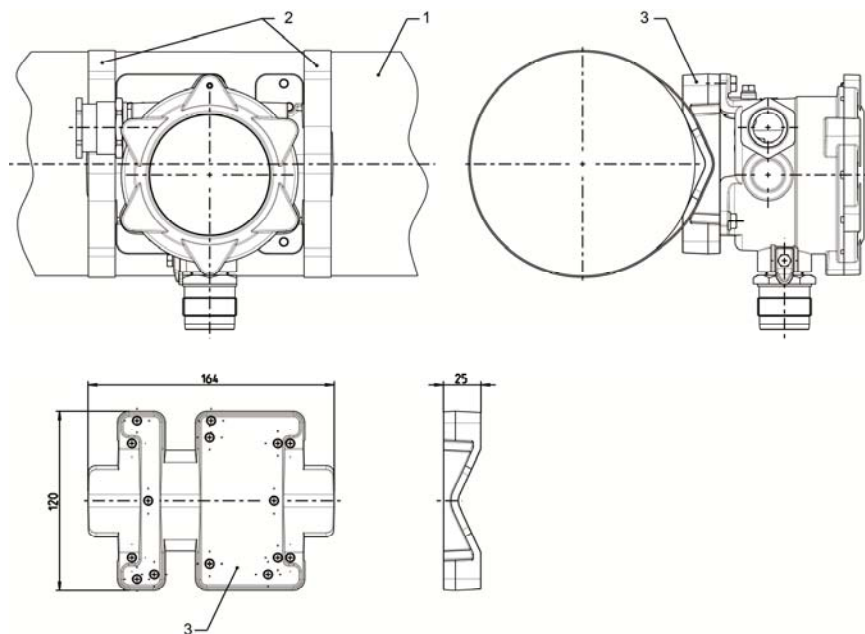
1 Pipe

3 Mounting plate

2 Pipe clamp

* Depending on pipe diameter

9.6.2 Mounting kit for pipes with a diameter from 50 mm to 150 mm

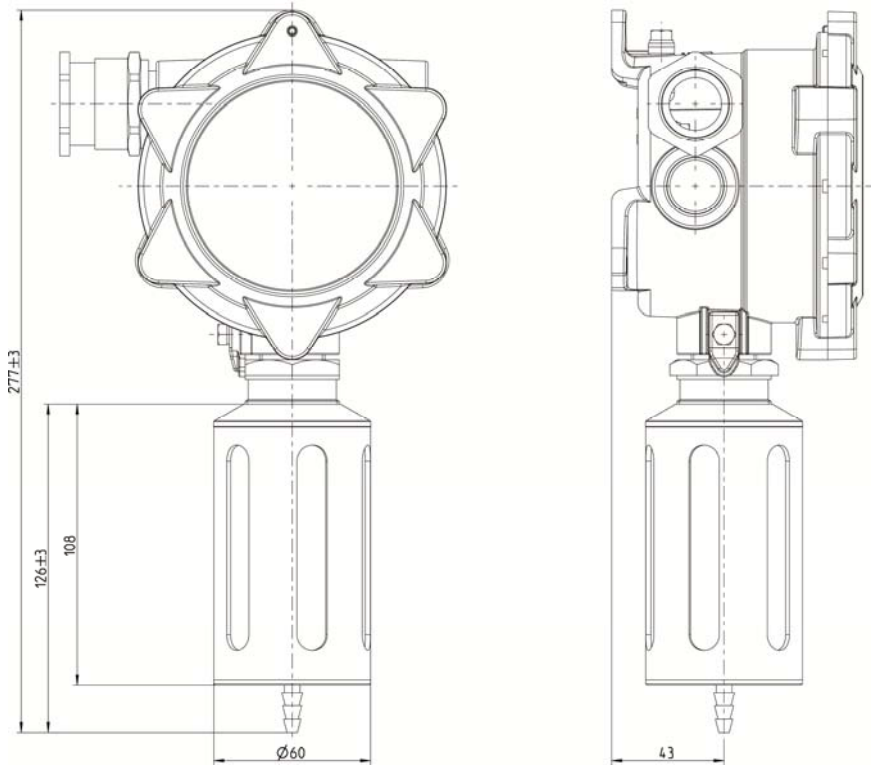


1 Pipe

2 Pipe clamp

3 Mounting plate

9.7. Remote Calibration Adaptor



10. Wiring Diagrams

10.1. MSA Control Unit SUPREMA



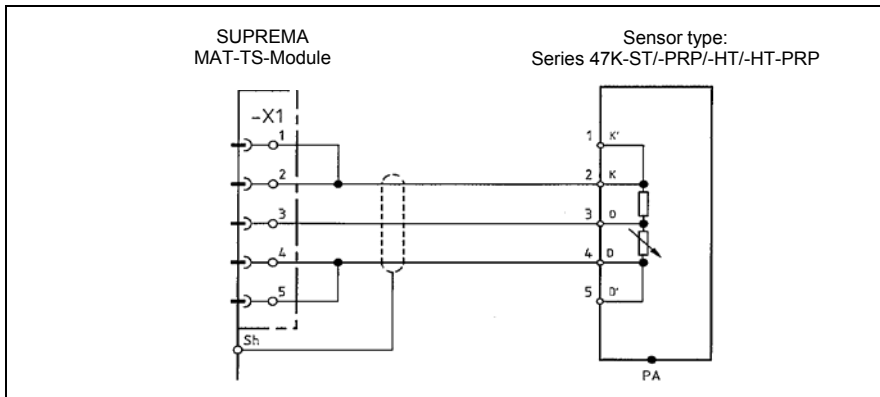
Attention

The fault signals required in EN 60079-29-1 for loss of continuity or short circuit of one or more wires to the remote sensor are not provided with a 3 wire connection. A 5 wire connection is therefore recommended.

When using a 3-wire connection the maximum wire length is reduced. Refer to the appropriate controller operation manual for details of the minimum conductor size and wire length that can be used.

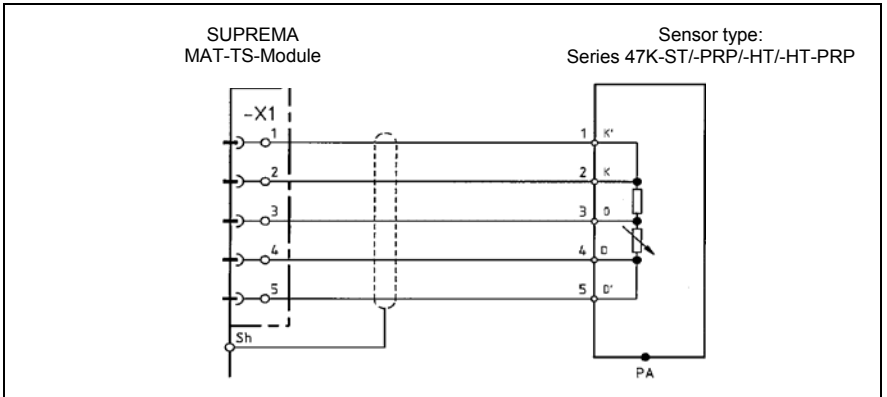
10.1.1 Series 47K-ST/-PRP/-HT/-HT-PRP [3-wire]

[for 47K-HT and 47K-HT-PRP see chapter 10.5]



10.1.2 Series 47K-ST/- PRP/-HT/-HT-PRP [5-wire]

Information regarding the 5-wire wiring of the 47K-HT/ -HT-PRP can be found in chapter 10.5.]

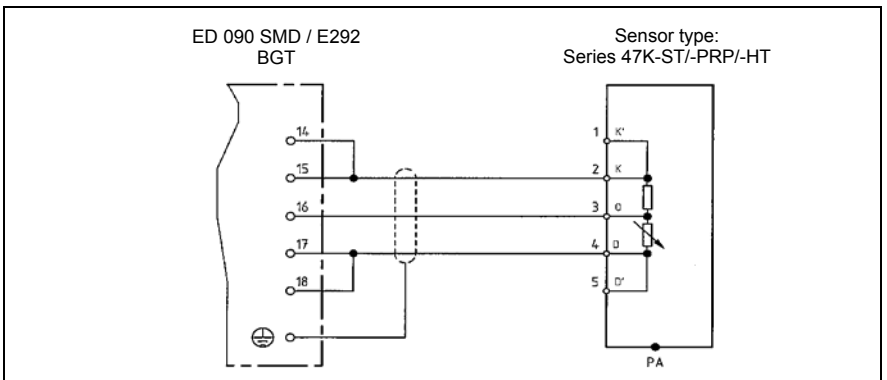


10.2. MSA Control Unit ED 090 SMD / E 292

10.2.1 Series 47K -ST/-PRP/-HT [3-wire]

[for 47K-HT see chapter 10.5]

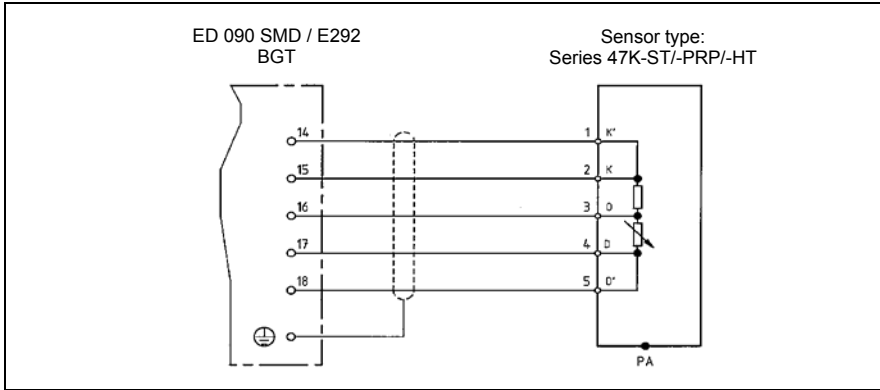
No operation of the 47K-HT-PRP with the control racks ED 090 SMD and E 292.



10.2.2 Series 47K-ST-PRP/HT [5-wire]

Information regarding the 5-wire wiring of the 47K-HT/ -HT-PRP can be found in chapter 10.5.]

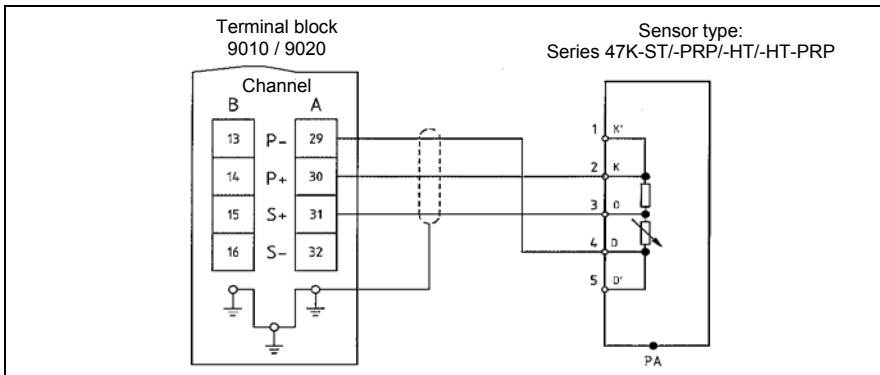
No operation of the 47K-HT-PRP with the control racks ED 090 SMD and E 292.



10.3. MSA Control Unit 9010 / 9020 Series

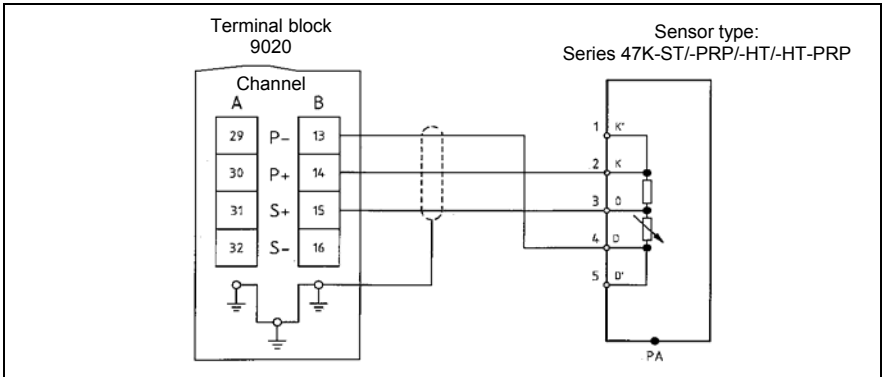
10.3.1 Series 47K-ST/-PRP/HT/-HT-PRP [3-wire] Channel A

[for 47K-HT and 47K-HT-PRP see chapter 10.5]



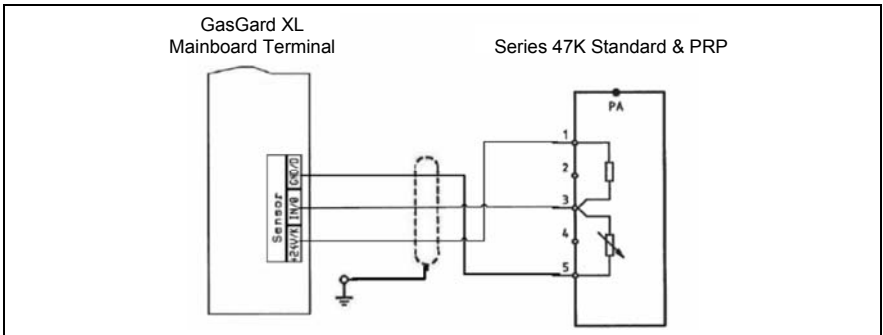
10.3.2 Series 47K-ST/-PRP/-HT/-HT-PRP [3-wire] Channel B

[for 47K-HT and 47K-HT-PRP see chapter 10.5]

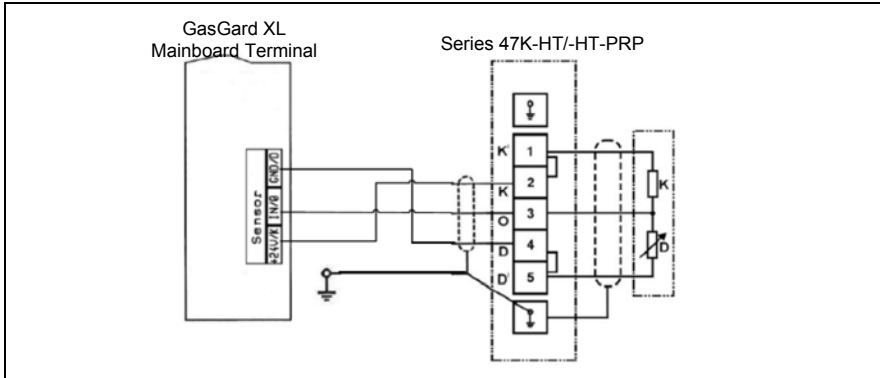


10.4. MSA control unit Gasgard XL

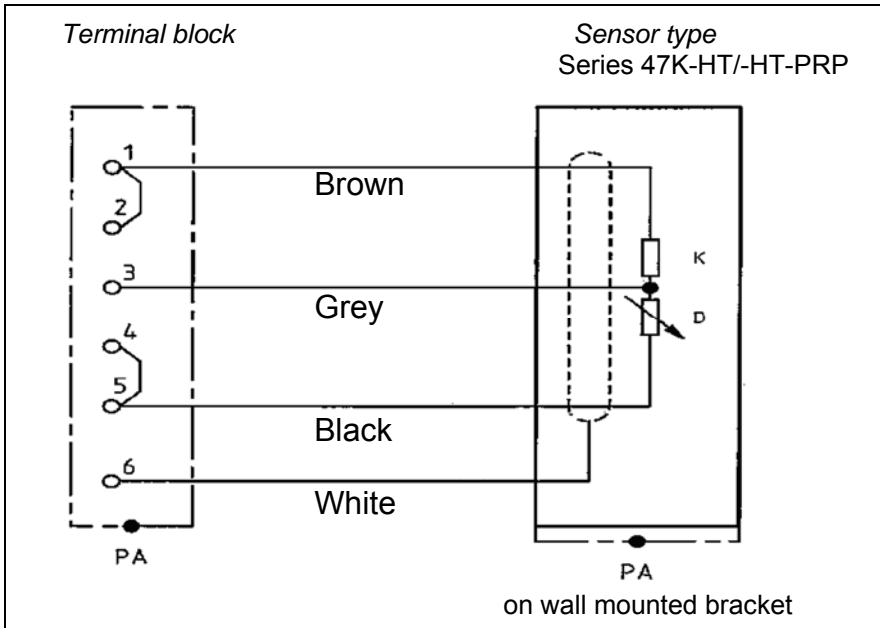
10.4.1 Series 47K-ST / -PRP [3-wire]



10.4.2 Series 47K-HT/-HT-PRP



10.5. Wiring Diagram Sensor 47K-HT/-HT-PRP with Junction Box ATEX 100 °C



For local MSA contacts, please visit us at **[MSAsafety.com](https://www.MSA.com)**