



I Application

The sanitary and cost-efficient design of the Hyginox SE centrifugal pump makes it particularly suitable as main process pump in the dairy, beverage, pharmaceutical and cosmetic industries.

I Design and features

Hyginox SE is a range of close-coupled centrifugal pumps with sanitary design, compact and efficient. It is made of a cold-formed stainless steel casing, stainless steel open impeller (investment casting), mechanical seal, pump cover, lantern and shaft, connected to the motor shaft by mechanical compression.

The motor complies with the IEC standards, it is protected with a stainless steel shroud and provided with the height adjustable hygienically designed legs.

I Technical specifications

Materials:

Parts in contact with the product	Stainless steel AISI 316L (1.4404)
Other steel parts	Stainless steel AISI 304 (1.4301)
Gaskets in contact with the product	EPDM (according to FDA and EC 1935/2004)

Single internal mechanical seal EN 12756 I1k (according to FDA and EC 1935/2004):

Rotary part	Carbon (C)
Stationary part	Silicon carbide (SiC)
Gaskets	EPDM

Surface finish:

Internal	Ra<0,8 µm
External	Matt

Connections: DIN 11851

Operating limits:

Nominal pressure	10 bar	145 PSI
Temperature range	-10°C to +120 °C	14 °F to 248 °F
	+140°C (SIP, max- 30 min.)	284 °F
Maximum flow	145 m³/h	638 US GPM
Maximum differential head	90 m	295 ft
Maximum speed	3500 rpm	



I Motor

Triphasic induction motor with B34 flange (B35 for motor frame 132 and above), in compliance with the IEC standards, 2 poles = 3000/3600 rpm, efficiency class according to EC regulation, IP 55 protection and F-class insulation.

3 phases, 50 Hz, 230 V Δ / 400 V Y, ≤ 4 kW
 3 phases, 50 Hz, 400 V Δ / 690 V Y, ≥ 5,5 kW

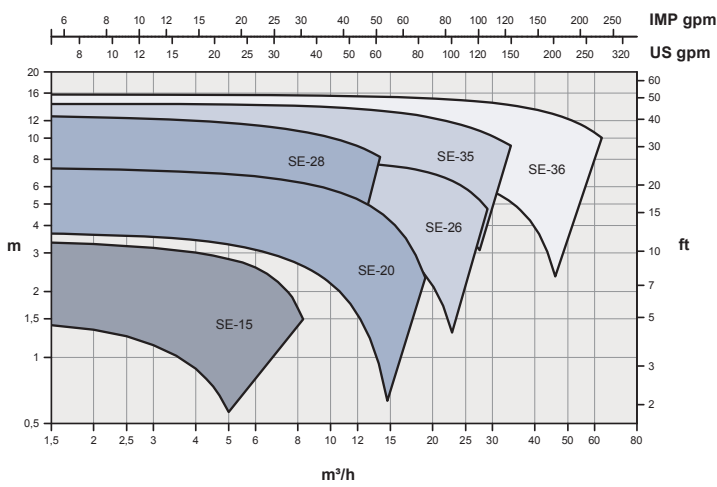
I Options

SiC/SiC mechanical seal.
 Gaskets: FPM and PTFE.
 Jacketed pump housing.
 Drain port.
 Other connection types.
 Motor with other voltages, frequencies, protection classes and efficiencies.
 Trolley and/or control panel.
 ATEX certification.

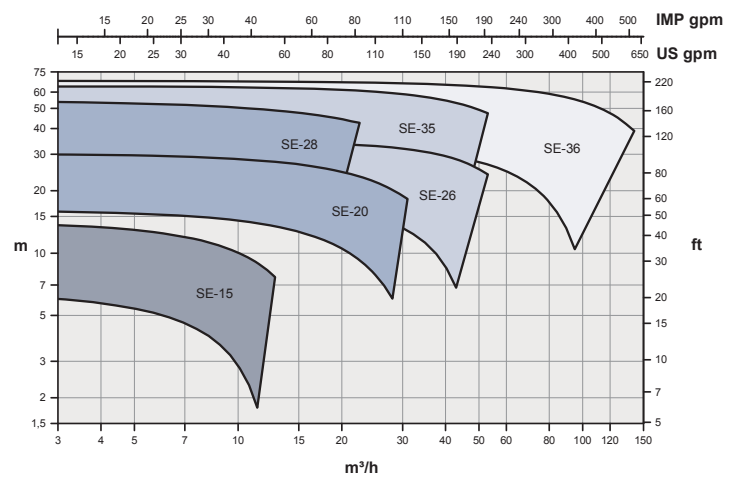
I Performance charts

50 Hz

1450 rpm

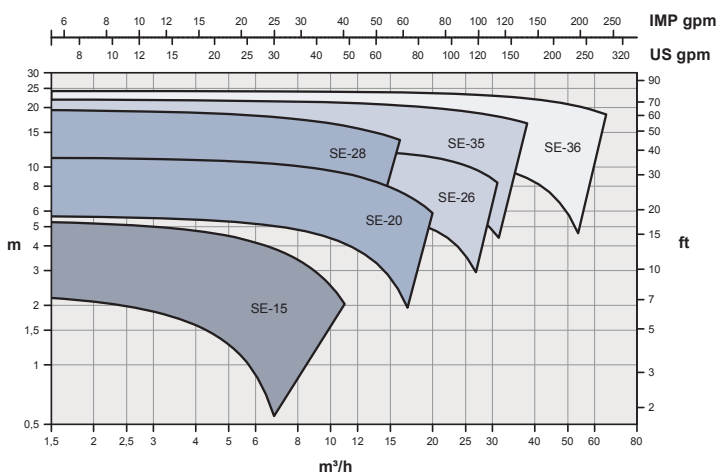


2900 rpm

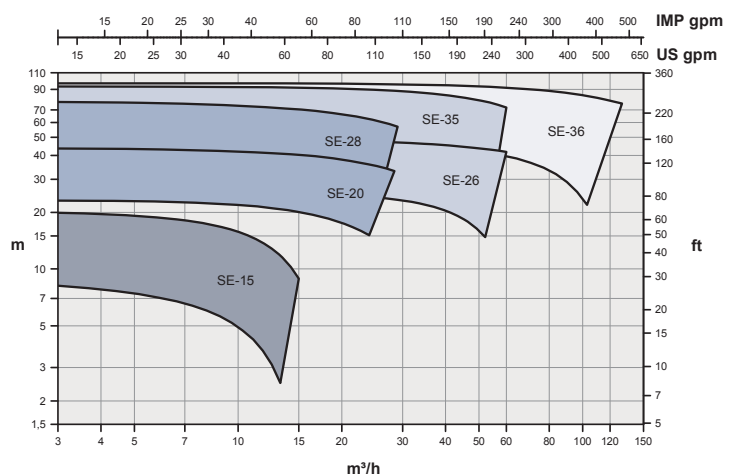


60 Hz

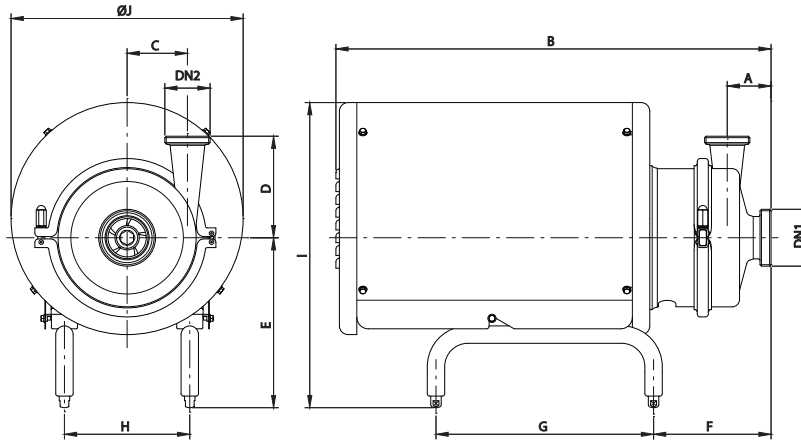
1750 rpm



3500 rpm



I Dimensions: Hyginox SE

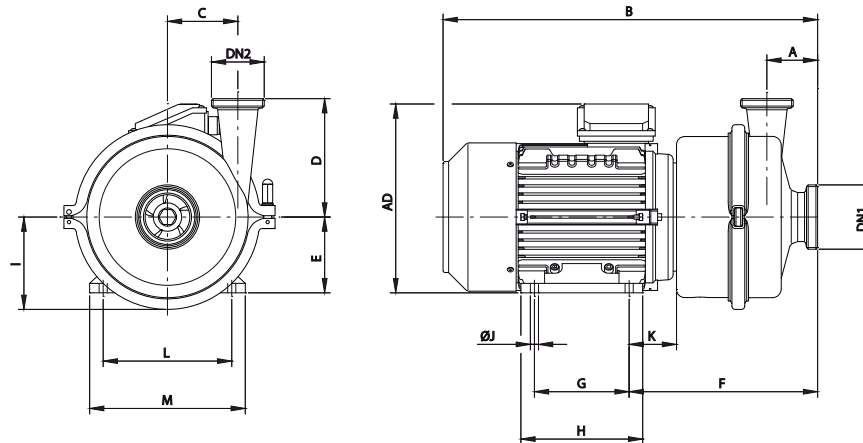


Pump	Size	Motor		DN1	DN2	A	B	C	D	E	F	G	H	I	ØJ	kg	
		kW	rpm														
SE-15	A	71	0,25	1450	40	32	440	55	100	203	111	250	112	350	230	14	
			0,55													15	
	B	80	0,75	2950			55			530	217	148	275	132	405	290	22
C	90S	1,1	1450	50	40	55	530	74	140	227	154	275	132	415	290	24	
D	100	3														2950	605
SE-20	C	90S	1,1	1450	65	50	55	540	72	150	227	162	275	132	415	290	31
			1,5														2950
SE-26	D	100	2,2	1450	40	40	65	610	106	165	278	161	325	175	490	350	55
			3														2950
	E	112	4	1450	65	50	55	610	72	150	278	166	325	175	490	350	50
			5,5														2950
SE-28	C	90S	1,1	1450	40	40	65	535	106	165	227	157	275	132	415	290	36
			3														2950
	D	100	4	1450	65	50	75	750	104	175	293	202	375	216	530	400	76
			5,5														2950
			7,5	2950	885	367	253	475	267	645	465	154					
SE-35	D	100	2,2	1450	100	65	75	620	98	181,5	266	168	325	175	480	350	52
			3														2950
	E	112	4	1450	100	65	75	620	98	181,5	278	175	325	175	490	350	63
			7,5														2950
	F	132S	11	1450	100	65	75	750	104	175	293	202	375	216	530	400	101
11			2950														885
G	160M	15	2950	885	367	253	475	267	645	465	156						

Dimensions with DIN 11851 connections



I Dimensions: Hyginox SE without shroud and without legs



Pump	Size	Motor kW	rpm	DN1	DN2	A	B	C	D	E	F	G	H	AD	I	ØJ	K	L	M	kg										
SE-15	A	71	0,25	40	32	55	375	55	100	71	202	90	105	185	80	7	45	112	140	10										
			0,55																											11
	B	80	0,75				2950			420	80	231	100	130						215	10	50	125	160	16					
			1,1				445			90	237		235		10	56	140	180	22											
SE-20	C	90S	1,1	50	40	55	450	74	140	90	237	100	130	235	105	10	56	140	180	24										
			1,5																										23	
	D	90L	2,2				2950			470	100	255	125	155						260	12	63	160	200	34					
			3							510	112	262	140	180						280		70	190	230	41					
			4				530								12	70	190	230	41											
SE-26	C	90S	1,1	65	50	55	455	72	150	90	244	100	130	235	105	10	56	140	180	25										
			3																										34	
	D	100	3				2950			530	100	261								260	12	63	160	200	34					
			4							545	112	268	140	180						280		70	190	230	41					
			5,5							605											12	70	190	230	47					
			7,5				605								12	112	216	260	59											
	F	132S	7,5				605			132	310		190	320	150		112	216	260	68										
SE-28	C	90S	1,1	40	40	65	450	106	165	90	240	100	125	235	137	10	56	140	180	30										
			3																										39	
	D	100	3				2950			525	100	257								260	12	63	160	200	39					
			4							540	112	264	140	180						280		70	190	230	46					
			5,5							600											12	70	190	230	52					
			7,5				600			132	306		190	320	150		112	216	260	73										
SE-35	D	100	2,2	65	50	75	540	104	175	100	271		180	260	134	12	63	160	200	41										
			3																										45	
	E	112	5,5				2950			555	112	278	140	180						280		70	190	230	53					
			7,5							610				190						320	150	112	216	260	65					
			11							650			178	230											74					
			11							765															87					
	G	160M	15				765			160	375	210	265	405	175	15	167	254	315	116										
			15				765													136										
SE-36	D	100	2,2	100	65	75	540	98	181,5	100	271	140	180	260	137	12	63	160	200	43										
			3																										48	
	E	112	4				2950			555	112	278								280		70	190	230	54					
			7,5							610			190	320						150		112	216	260	77					
			11							650			230	320						150		112	216	260	90					
	G	160M	11				765			160	375	210	265	405	175	15	167	254	315	118										
			15				765													138										

Dimensions with DIN 11851 connections

