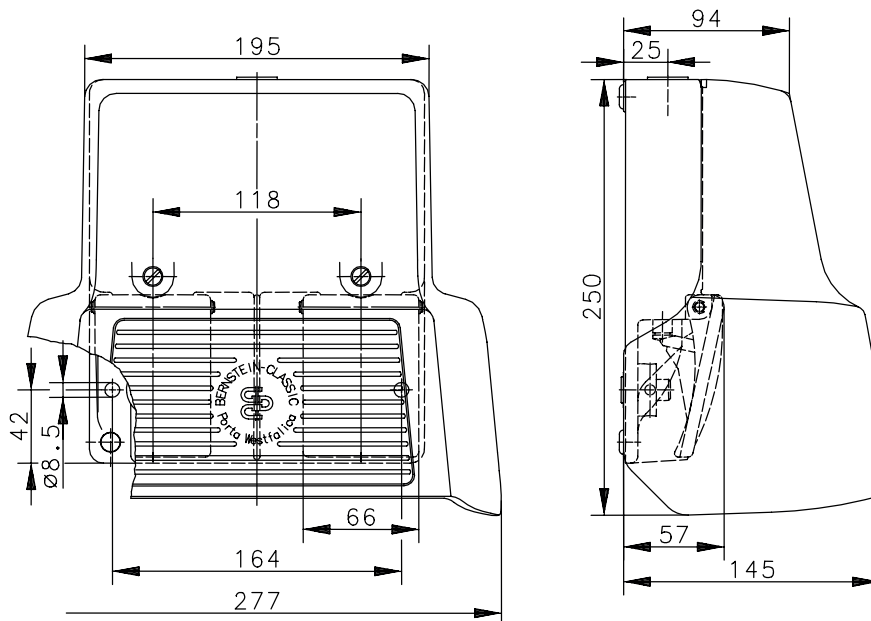


Foot-switch
Series F2 UN

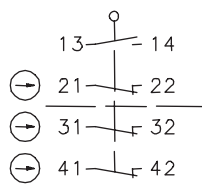
Description **F2-SU1ZA2ZD/SU1Z UN**

Article number **6162000651**

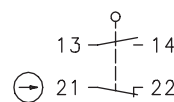


Switching symbol

Pedal left



Pedal right



Electrical Data

| | | |
|---------------------------------|---------------|-----------------------------------|
| Rated insulation voltage | U_i | 400 V AC |
| Conv. thermal current | I_{the} | 10 A |
| Rated operational voltage | U_e | 240 V |
| Utilization category | | AC-15, U_e / I_e 240 V AC / 3 A |
| Direct opening action | \rightarrow | acc. to IEC/EN 60947-5-1, annex K |
| Short-circuit protective device | | Fuse 10 A gG |
| Protection class | | I |

| Mechanical data | |
|---|--|
| Enclosure | AL, die-cast |
| Protective guard (Accident protection cover UN) | AL, die-cast |
| Actuator | Foot lever (PA) |
| Ambient air temperature | -30 °C to +80 °C |
| Contact type | 4 NC, 2 NO. (Zb) |
| Operating force (pedal centre) | 10 N |
| Pressure point | ≈ 460 N |
| Mechanical life | |
| without actuating the pressure point | 10 x 10 ⁶ operating cycles |
| with actuating the pressure point | 1 x 10 ⁶ operating cycles |
| Switching frequency | max. 50/min |
| Assembly | 2 x M8 |
| Connection | screw connections (M3,5) |
| Number of connection | 12 |
| Protection ground | 2 x M4 |
| Conductor cross-sections | Solid: 0,5 ... 1,5 mm ² Litz wire with ferrules: 0,5 ... 1,5 mm ² |
| Cable entrance | 1 x M20 x 1,5 |
| Weight | ≈ 2,8 kg |
| Protection type | IP65 in accordance with IEC/EN 60529 |

| ID for safety engineering | | |
|----------------------------------|--------------------------------------|---------------------------------------|
| B10d | without actuating the pressure point | 20 x 10 ⁶ switching cycles |
| | with actuating the pressure point | 2 x 10 ⁶ switching cycles |

| Regulations | |
|--------------------|--|
| | VDE 0660 T100, DIN EN 60947-1, IEC 60947-1 |
| | VDE 0660 T200, DIN EN 60947-5-1, IEC 60947-5-1 |
| | DIN EN ISO 13849-1 |

| EU Conformity | |
|----------------------|------------------------------|
| | acc. to directive 2014/35/EU |

| Notes | |
|--|--|
| The degree of protection specified (IP code) applies only to a properly closed cover and the use of an equivalent cable gland with adequate cable. | |