

SAVIOR AC AXIAL FAN

SA15055

162x150x55mm

SA15038

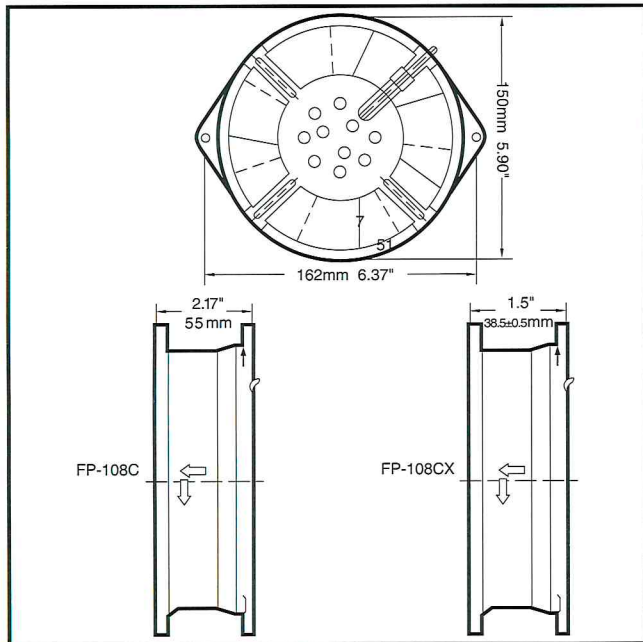
162x150x38mm

DESIGN FEATURES

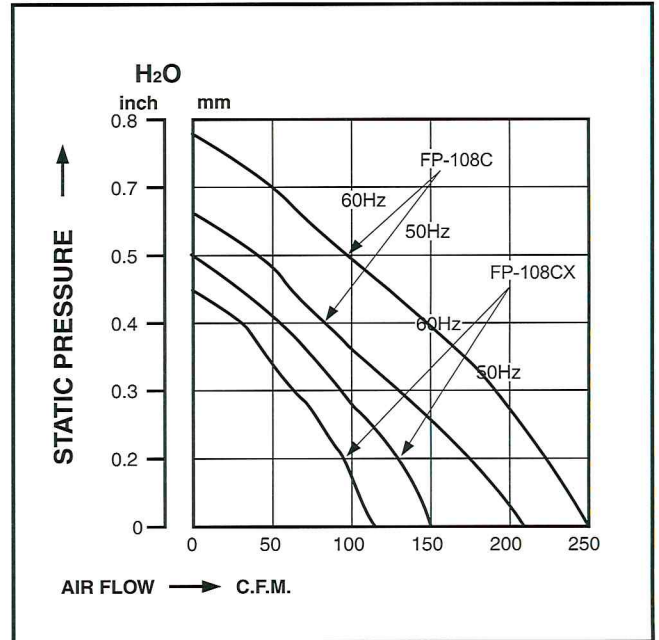
- ***BEARING SYSTEM:** BALL BEARING
- ***IMPELLER:** PLASTIC WITH FIBER GLASS FILLED UL 94V-0 & METAL
- ***HOUSING:** DIE CAST ALUMINUM PAINTED BLACK OR NATURAL COLOR
- ***MOTOR:** SHADED POLE, IMPEDANCE PROTECTED
- ***CONNECTING:** WIRE LEADS
- ***OTHER VOLTAGE:** 24, 48, 100, 380AC (50/60Hz) ARE AVAILABLE



DIMENSIONS:MM



PERFORMANCE



SPECIFICATIONS

Specifications are subject to change without notice

MODEL NO.	VOLT (VAC)	FREQUENCY (HZ)	AIR (CFM)	VOLUME (M ³ /MIN)	CURRENT (A)	POWER (W)	SPEED (RPM)	STATIC PRESSURE (INCH-H ₂ O)	NOISE (dBA)
SA15055H	110/120	50/60	210/250	5.9/7.00	0.5/0.45	38/35	2700/3000	0.63/0.79	51/54
	220/240	50/60	210/250	5.9/7.00	0.5/0.45	32/31	2700/3000	0.63/0.79	51/54
SA15038H	110/120	50/60	140/130	4.0/3.7	0.30/0.27	22/20	2300/2000	0.38/0.36	31/30
	220/240	50/60	140/130	4.0/3.7	0.18/0.16	27/24	2300/2000	0.38/0.36	31/30