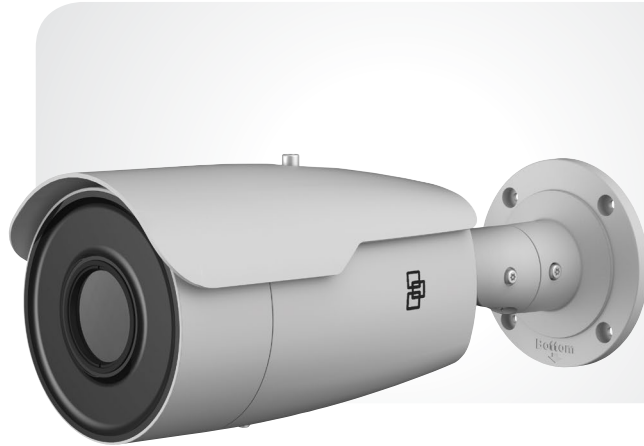
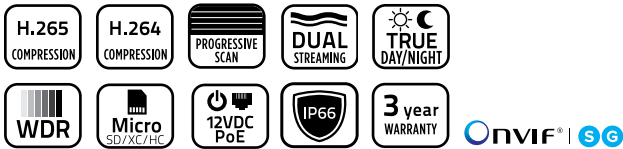


# Thermal Cameras

## TruVision® Thermal IP Bullet Camera



### OVERVIEW

TruVision® Thermal IP Bullet Cameras from Interlogix provide a solution for perimeter detection applications and security monitoring in challenging lighting conditions.

Using the thermal functionality, users can distinguish objects by the level of thermal energy detected in low- to zero-light scenes. The camera also features built-in analytics such as intrusion zone, cross line, region entrance and region exit detection. It also leverages the thermal detection capabilities for temperature monitoring that is useful for applications like critical infrastructure.

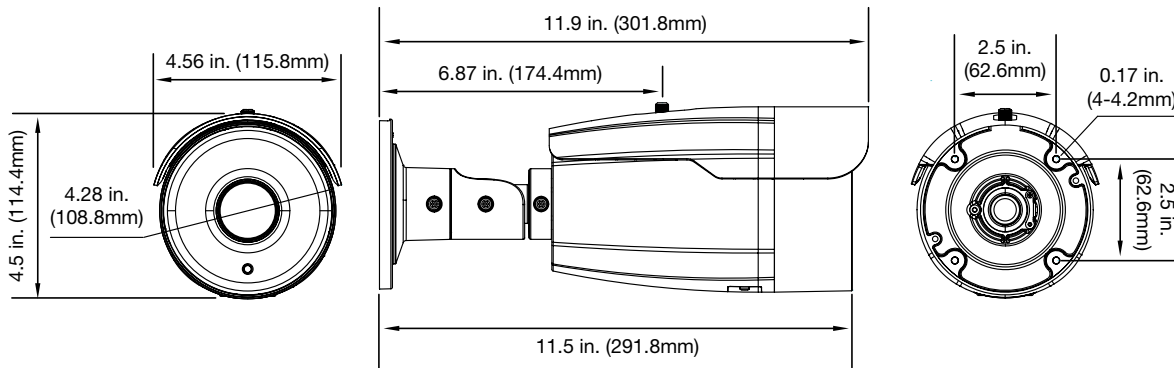
TruVision thermal cameras can be used in combination with a variety of TruVision and Lene® UltraView™ recording platforms, as well as other third-party platform using ONVIF® or CGI connectivity.

### STANDARD FEATURES

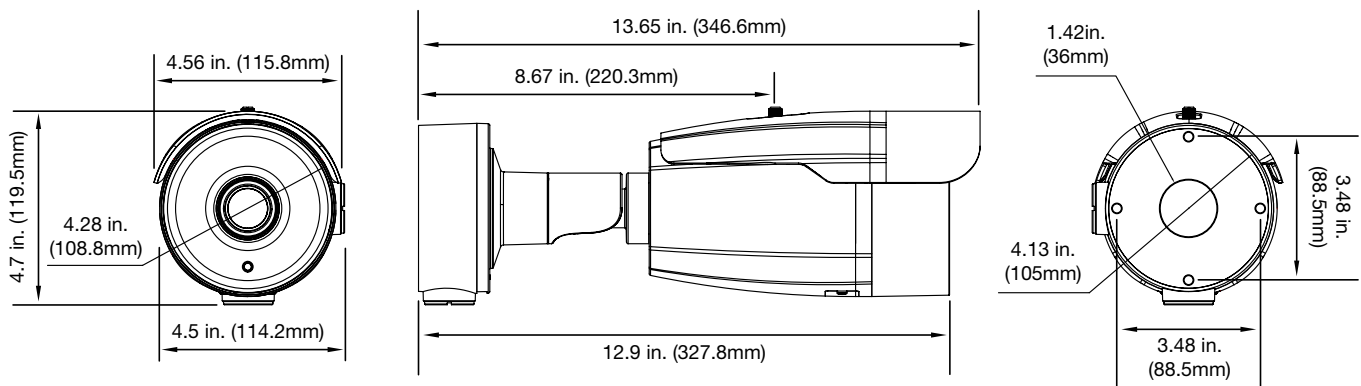
- H.264/H.265 compression
- Uncooled thermal sensor
- Long range object detection
- IP66 rating for outdoor installation
- 50fps high frame rate support
- Embedded analytics for perimeter protection application
- Ethernet & analog video output
- PoE+ support
- SD card support for edge recording
- 3-year warranty

## Dimensional Diagrams





TVB-5701, TVB-5702, TVB-5706, TVB-5707 Fixed Bullet Camera (without back box)



TVB-5701, TVB-5702, TVB-5706, TVB-5707 Fixed Bullet Camera (with back box)



# Specifications

PART NO.		TVB-5701	TVB-5702	TVB-5706	TVB-5707
					
Camera	Sensor	Vanadium Oxide Uncooled Focal Plane Arrays			
	Spectral Range	8µm to 14µm			
	Sensitivity	NETD < 50 mk			
	Resolution	384(H) x 288(V)		640(H) x 512(V)	
	Mrad	1.13	0.49	1.13	0.68
	IP Compression/Standard	H.264 / H.265 / MJPEG			
	Multiple Streaming	Triple Stream			
	Maximum Resolution	384 x 288		640 x 512	
	Maximum Real-Time Resolution (@fps)	384 x 288 @ 50fps		640 x 512 @ 50fps	
	Main Stream	H.264 / H.265			
	Sub Stream	H.264 / H.265 / MJPEG			
	3rd Stream	H.264 / H.265 / MJPEG			
	Video Bit Rate	256 Kbps - 16 Mbps			
	Digital Noise Reduction	3D-NR			
	Min. Focal Distance	2.5m	40m	2.5m	13m
	Max. Detection Range	Vehicle: 4439 ft. (1353m) Human: 1447 ft. (441m)	Vehicle: 10,357 ft. (3157m) Human: 3376 ft. (1029m)	Vehicle: 4439 ft. (1353m) Human: 1447 ft. (441m)	Vehicle: 7398 ft. (2255m) Human: 2411 ft. (735m)
	Max. Recognition Range	Vehicle: 1109 ft. (338m) Human: 361 ft. (110m)	Vehicle: 2588 ft. (789m) Human: 843 ft. (257m)	Vehicle: 1109 ft. (338m) Human: 361 ft. (110m)	Vehicle: 1850 ft. (564m) Human: 603 ft. (184m)
	Max. Identification Range	Vehicle: 554 ft. (169m) Human: 180 ft. (55m)	Vehicle: 1296 ft. (395m) Human: 423 ft. (129m)	Vehicle: 554 ft. (169m) Human: 180 ft. (55m)	Vehicle: 925 ft. (282m) Human: 302 ft. (92m)
	Lens	15mm @f1.0	35mm @ f1.0	15mm @ f1.0	25mm @ f1.0
Focus	Fixed				
Video Output	Composite PAL 1.0 Vp-p @ 75 Ohm				
Video Standard	PAL				
Video Connector	1 - 75 W				
Network	Ethernet Port	1 RJ45 10/100 Mbps auto-negotiate			
	Network Protocols	802.1x, DDNS, DHCP, DNS, FTP, HTTP, HTTPS, ICMP, IGMP, IPv4, IPv6, NTP, PPPoE, Qos, RTP, RTSP, SMTP, SNMP, TCP, UDP			
Local Storage	Media	Micro SD/SDHC/SDXC slot			
	Capacity	Up to 128GB			
Audio	Input	1 Mic in/Line in interface, line input: 2-2.4V[p-p]; output impedance: 1KΩ, ±10%			
	Output	1 Audio output interface, line level, impedance: 600Ω			
	Audio Compression	G.711ulaw/G.711alaw/G.726/MP2L2/G.722/PCM			
Camera Alarms	Intelligence	Motion, Privacy Masking, Intrusion detection, Cross line detection, Audio exception detection, Region entrance detection, Region exit detection, Temperature measurement, Fire Source detection			
	Input/Output	2 in / 2 out			
Interoperability	Standard	CGI, ONVIF®, PSIA			
Display	Display Mode	Centered, ROI (Region of Interest)			
	On Screen Display (OSD)	Text overlay			
Electrical/Mechanical	Voltage Input	12VDC / 24VAC / PoE+ (802.3at)			
	Power Consumption	20W		22W	
	Current	1.67 A (Max)		1.83 A (Max)	
	Dimensions	4.7 x 4.56 x 13.65 in. (119.5 x 115.8 x 346.6mm) including back box			
	Weight	1.83 lbs. (830g)			
Environmental	Storage Temperature	-40°F to 140°F (-40°C to 65°C), Humidity < 90° (non-condensing)			
	Operating Temperature	-40°F to 140°F (-40°C to 65°C), Humidity < 90° (non-condensing)			
	Environmental Rating	IP66			
Regulation	Compliance	CE, FCC, RCM, REACH, RoHS, UL, WEEE			

# Thermal Cameras

Thermal IP Bullet Camera



## Ordering Information

<b>TVB-5701</b>	TruVision® IP Thermal Bullet Camera, Outdoor, CIF, 15mm Lens, 3D DNR, H.265/H.264, ONVIF®/PSIA, SDHC card slot, PoE+/12VDC/24VAC
<b>TVB-5702</b>	TruVision® IP Thermal Bullet Camera, Outdoor, CIF, 35mm Lens, 3D DNR, H.265/H.264, ONVIF®/PSIA, SDHC card slot, PoE+/12VDC/24VAC
<b>TVB-5706</b>	TruVision® IP Thermal Bullet Camera, Outdoor, VGA, 15mm Lens, 3D DNR, H.265/H.264, ONVIF®/PSIA, SDHC card slot, PoE+/12VDC/24VAC
<b>TVB-5707</b>	TruVision® IP Thermal Bullet Camera, Outdoor, VGA, 25mm Lens, 3D DNR, H.265/H.264, ONVIF®/PSIA, SDHC card slot, PoE+/12VDC/24VAC



[interlogix.com](http://interlogix.com)

Specifications subject to change without notice.

© 2018 United Technologies Corporation.

All rights reserved.

All trademarks are the property of their respective owners.

Interlogix is part of UTC Climate, Controls & Security,

a unit of United Technologies Corporation.

2018/03 (GSP-2681)