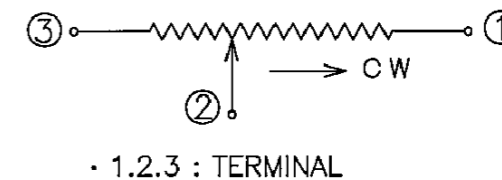
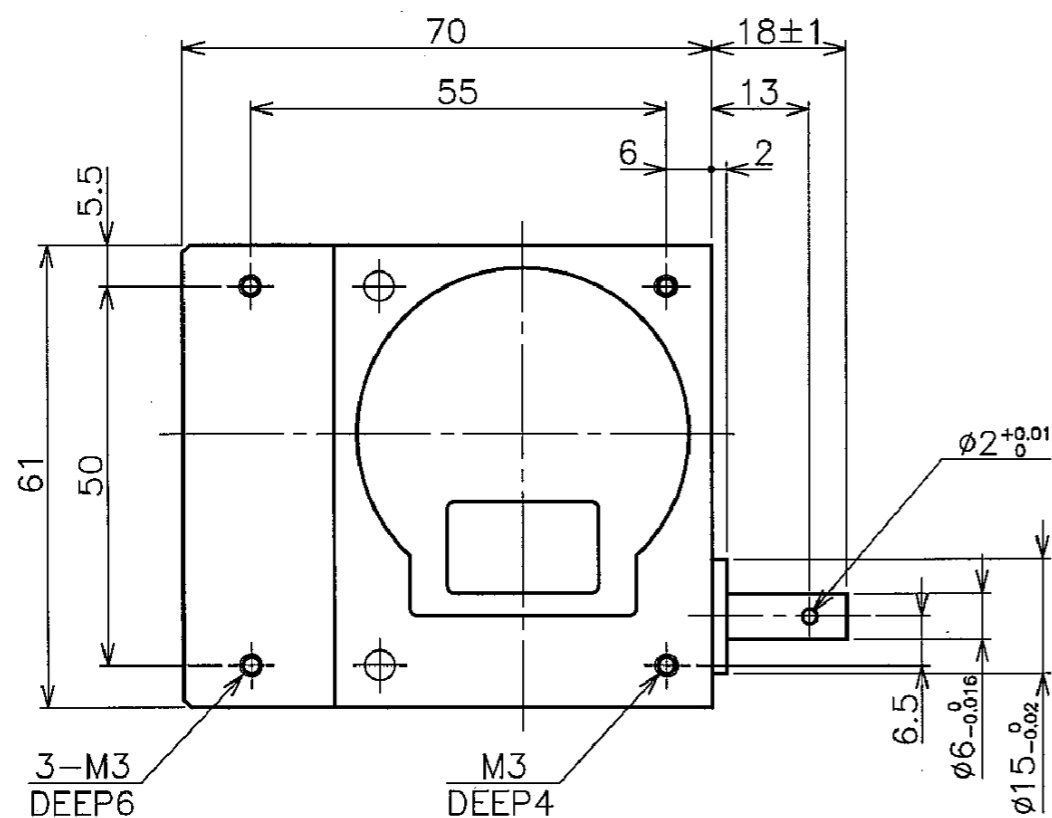
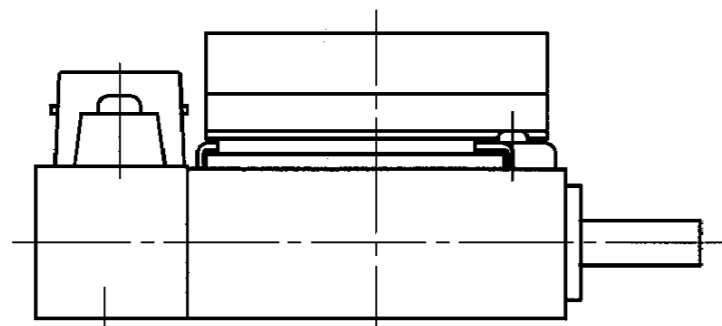


SCHEMATIC



GEAR RATIO : 10:1
 BACKLASH : 0.03% MAX.
 TORQUE : 3.9 mN·m MAX.



SPECIFICATIONS (CPP-45)

ELECTRICAL TRAVEL : 350°
 TOTAL RESISTANCE : 0.5 · 1 · 2 · 5 · 10 · 20kΩ ±15%
 INDEPENDENT LINEARITY : ±0.5% (AVAILABLE ±0.1%)
 POWER RATING : 3W / 70°C
 INSULATION RESISTANCE : 100MΩ MIN. DC1000V
 DIELECTRIC STRENGTH : AC1000V 1MINUTE
 TEMPERATURE COEFFICIENT OF RESISTANCE : ±400ppm/°C
 OUTPUT SMOOTHNESS : 0.1% MAX.
 MECHANICAL TRAVEL : 360° CONTINUOUS

REV	DATE	DESCRIPTION	DRAWN	CHKD

DRAWING FOR APPROVAL			SPEC. NO.
MODEL: CPP-45-10SX-SC			
APPROVED	TOLERANCE	DATE	MIDORI PRECISIONS CO., LTD.
CHECKED		SCALE	
DRAWN		DRAWING PRACTICE	
3.6.'01 H. Komaba	≤10 ±0.25 10 < ≤100 ±0.5 100 < ±1.0 ANGLE ±1.5'	3.6.'01 1/1	DRAWING NO.
3.6.'01 K. Nishida			A-MPE-B32