

AC axial fan

A series



- **Design:** Without guard grille and wall ring
- **Impeller material:** Sheet steel (enameled in black)
- **Bearings:** Maintenance-free ball bearings

Nominal data

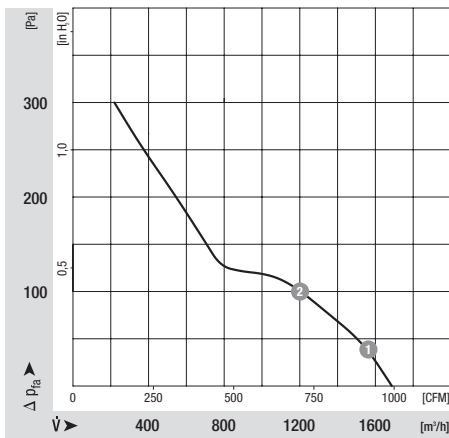
| Type | Motor | Voltage 3 - VAC | Frequency Hz | Air flow m³/h | Speed 1/min | Power consumption W | Current draw A | Sound pressure level dB(A) | Operative range 50Hz Pa | Weight kg |
|--------------|----------|--------------------|-----------------|------------------|----------------|------------------------|-------------------|-------------------------------|----------------------------|--------------|
| A2D250AA0202 | M2D068DF | 230/400 | 50 | 1685 | 2650 | 110 | 0.22 | 72 | 0.. 300 | 2.2 |

Subject to modification

Current draw measured at 400 VAC (Y)

Characteristic: Pressure over air flow at 50Hz

n [min-1] P₁ [W] ntl [%] Lpa [dBA]

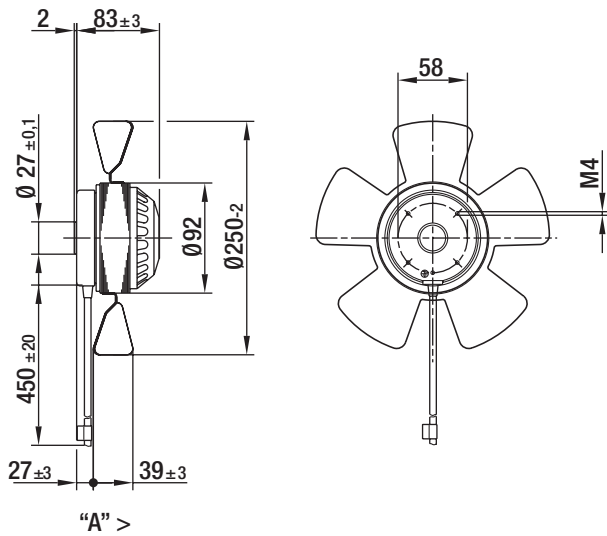


| | | | | |
|---|------|-----|----|----|
| 1 | 2645 | 123 | -- | -- |
| 2 | 2615 | 131 | -- | -- |

AC axial fan

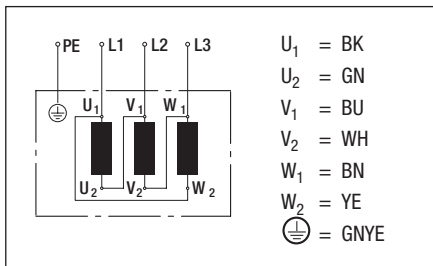
A series

Specific drawing

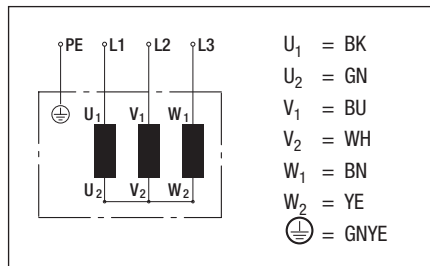


Connection illustration

Delta (3~ 230 VAC)



Star (3~ 400 VAC)



Technical description

- **Design:** Without guard grille and wall ring
- **Bearings:** Maintenance-free ball bearings
- **Direction of flow:** "A"
- **Cable layout:** On the side
- **Insulation class:** "B"
- **System of protection:** IP 44

- **Impeller material:** Sheet steel (enameled in black)
- **Direction of rotation:** Right, looking at rotor
- **Number of impeller blades:** 5
- **Operating mode:** S1
- **Protection class:** I

Contact

ebm-papst Mulfingen GmbH & Co. KG

Bachmühle 2

D-74673 Mulfingen

Phone +49 (0) 79 38 / 81-0

Fax +49 (0) 79 38 / 81-110

info1@de.ebmpapst.com

www.ebmpapst.com