



GREYSTONE ENERGY SYSTEMS INC

CURRENT SENSOR CS-651 Series

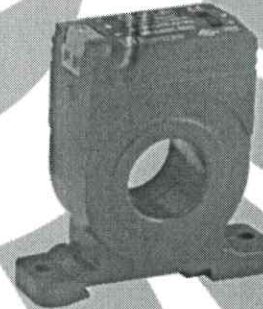
The CS-651 Series current sensors monitor line current for electrical loads such as pumps, conveyors, machine tools, or fans and output a 0-10 Vdc signal to represent the load current.

The CS-651 require no external power as they are totally powered by induction from the AC line being monitored.

The sensors are typically used to monitor motor operation and can be used to determine motor failure, belt loss, machine feed rates or tool wear.

SPECIFICATION:

Measurement Range:.....CS-651-R1: 0-10/20/50 Amps
CS-651-100: 0-100 Amps
 CS-651-200: 0-200 Amps
 Maximum Input Current:.....CS-651-R1: 100 Amps Continuous
 CS-651-100: 150 Amps Continuous
 CS-651-200: 225 Amps Continuous
 Accuracy:.....CS-651-R1: ± 2% FSO (5-100% of range)
 CS-651-100/200: ± 1% FSO (5-100% of range)
 Signal Output:.....0-10 Vdc
 Sensor Power:.....Self-powered
 Insulation Class:.....600 Vac, insulated conductors
 Frequency:.....50/60 Hz
 Response Time:.....200 mS Typical, 0-90 %
 Output Load:.....1 MΩ typical
 Loading Error:.....add 0.5% error with 100KΩ
 Operating Temperature:.....-15 to 60 °C (5 to 140 °F)
 Operating Humidity:.....5 to 90% RH non-condensing
 Terminal Block:.....14 to 22 AWG
 Dimensions:.....67 x 68.6 x 24.1 mm
 (2.65 x 2.7 x 0.95 in)
 Sensor Aperture:.....20.3 mm (0.8 in)
 Enclosure Material:.....ABS/PC, UL94 V-0
 Agency Approvals:.....cULus Listed



PART NUMBER SELECTED

PRODUCT SELECTION INFORMATION:

MODEL	Product Description
CS-651	Solid-core Current Sensor, 0-10 Vdc Output

CODE	Sensing Range	Maximum Input
R1	0-10/20/50 Amps - Switch Selectable	100 Amps Continuous
100	0-100 Amps	150 Amps Continuous
200	0-200 Amps	250 Amps Continuous

CS-651 - R1

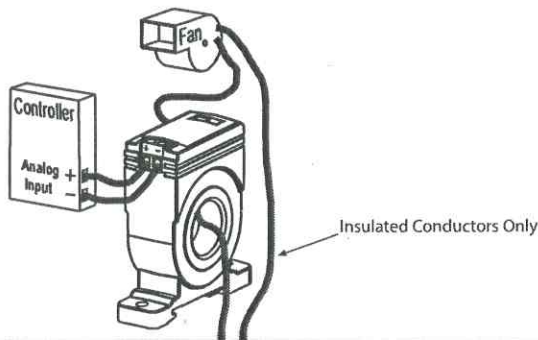
Greystone Energy Systems, Inc. reserves the right to make design modifications without prior notice.

TYPICAL INSTALLATION:

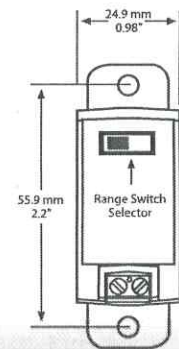
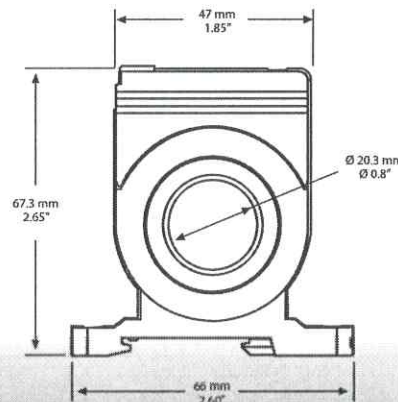
For complete installation and wiring details, please refer to the product installation instructions.

The CS-651 series must be mounted in an electrical enclosure and has an integral mounting tab to allow either screw mount to a surface or spring mount to a DIN rail.

The CS-651 series has a 2 wire connection to the Building Automation System.



600 Vac max
200 Amps max



Greystone Energy Systems, Inc. (506) 853-3057 Fax: (506) 853-6014
 150 English Drive, Moncton, North America: 1-800-561-5611
 New Brunswick, Canada E1E 4G7 e-mail: mail@greystoneenergy.com
 www.greystoneenergy.com

