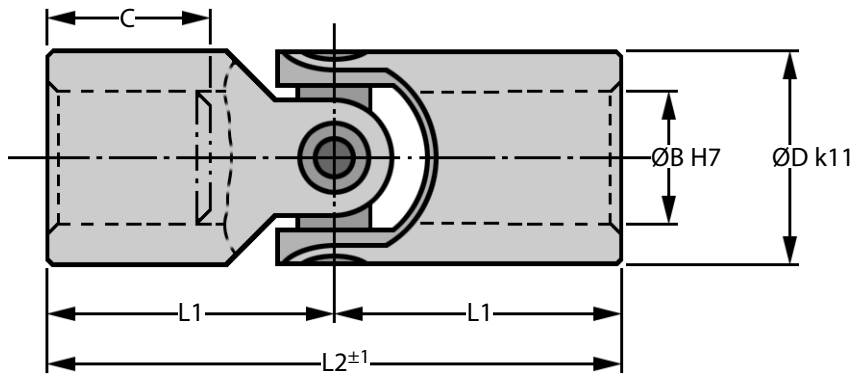
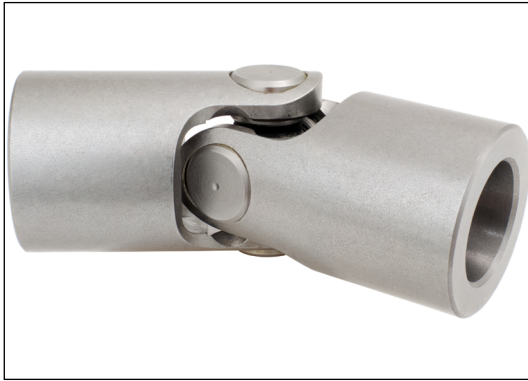


**HNU-A
U8R**

COUPLINGS

Needle Roller Single Universal Joint

Low Backlash : DIN 808-W (DIN 7751) : 12 - 50mm Bores



Part Number	Universal Joint	Rubber Cover	Std. & Max. ØB H7	ØD k11	C	L1	L2±1	Mass g
HNU820A	U8R-04	U8R-04	12	20	18	31	62	80
HNU820A1	U8R-04	U8R-04	10	20	12	24	48	85
HNU825A	U8R-1	U8R-1	16	25	22	37	74	150
HNU825A1	U8R-1	U8R-1	12	25	14	28	56	130
HNU832A	U8R-3	U8R-3	20	32	25	43	86	275
HNU832A1	U8R-3	U8R-3	16	32	16	34	68	235
HNU840A	U8R-5	U8R-5	25	40	32	54	108	545
HNU840A1	U8R-5	U8R-5	20	40	20	41	82	455
HNU850A	U8R-7	U8R-7	32	50	40	66	132	1,100
HNU850A1	U8R-7	U8R-7	25	50	25	52	104	975
HNU863A	U8R-9	U8R-9	30	63	38	83	166	2,850
HNU870A	U8R-11	U8R-11	35	70	35	70	140	3,150
HNU880A	U8R-12	U8R-12	40	80	50	90	180	3,900
HNU895A	U8R-13	U8R-13	50	95	54	95	190	4,800

Material

Steel 95Mn Pb36K.
Forged centre cross with hard ground ends for sealed needle bearings.

Max. Rotational Speed: 4,000 rpm.

Other Info.

Neoprene or plastic PVC covers available.

See technical pages for torques at different speed and angles.

Options

Smaller bores, keyways (add **K** to end of part number), squares, hexagons, short length series.

Please ask for a quote



+44 (0)1246 455500



+44 (0)1246 455522

ondrives



sales@ondrives.com



www.ondrives.com

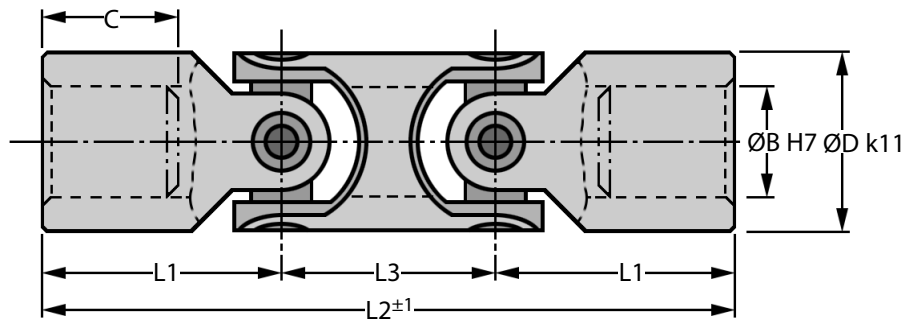
Product information updated July 2017 and subject to change. Please click the product links for prices and availability.

**HNU-C
U8R**

COUPLINGS

Needle Roller Double Universal Joint

Low Backlash : DIN 808-W (DIN 7751) : 12 - 50mm Bores



Part Number	Universal Joint	Rubber Cover	Std. & Max. ØB H7	ØD k11	C	L1	L2±1	L3	Mass g
HNU820C	U8R-20		12	20	18	31	88	26	110
HNU820C1	U8R-20		10	20	12	24	74	26	115
HNU825C	U8R-21		16	25	22	37	104	30	200
HNU825C1	U8R-21		12	25	14	28	86	30	180
HNU832C	U8R-23		20	32	25	43	124	37	375
HNU832C1	U8R-23		16	32	16	34	104	37	335
HNU840C	U8R-25		25	40	32	54	156	47	740
HNU840C1	U8R-25		20	40	20	41	128	47	650
HNU850C	U8R-27		32	50	40	66	188	56	1,470
HNU850C1	U8R-27		25	50	25	52	160	56	1,350
HNU863C	-		30	63	38	83	238	72	4,100
HNU870C	-		35	70	35	70	212	72	4,500
HNU880C	-		40	80	50	90	290	110	5,200
HNU895C	-		50	95	54	95	290	100	6,000

Material

Steel 95Mn Pb36K.
Forged centre cross with hard ground ends for sealed needle bearings.

Max. Rotational Speed: 4,000 rpm.

Other Info.

Neoprene or plastic PVC covers available.
See technical pages for torques at different speed and angles.

Options

Smaller bores, keyways (add **K** to end of part number), squares, hexagons, short length series.
Please ask for a quote



+44 (0)1246 455500



+44 (0)1246 455522

ondrives



sales@ondrives.com



www.ondrives.com

Product information updated July 2017 and subject to change. Please click the product links for prices and availability.