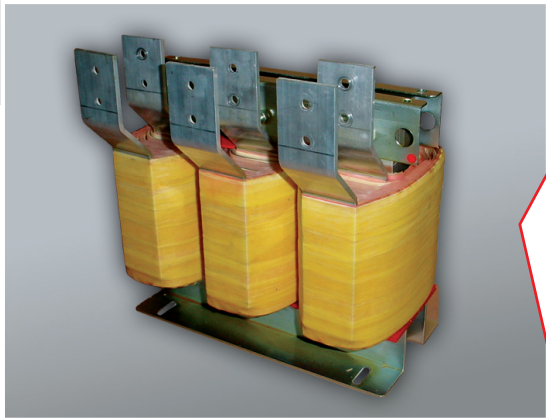




Gi.Pe

E L E T T R O M E C C A N I C A

Three-phase Reactor



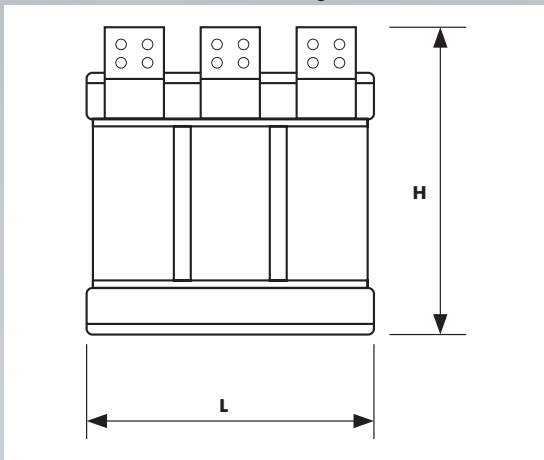
ALUMINIUM REACTOR

Three-phase reactor
For commutation

Technical norms: EN 60289

Three-phase Reactor Dimensions

Not binding maximum dimensions



Power HP	W	D	H	X	Y	Weight Kg
7000	350	280	340	250	145	50
8000	350	300	340	250	145	50
9500	400	320	400	300	125	65
11000	400	360	400	300	130	70
12500	400	370	400	300	140	75
14000	400	380	400	300	150	80
15000	400	390	400	300	160	95
17000	400	390	400	300	160	105
20000	480	350	420	400	140	115
22000	480	360	420	400	150	125
23000	480	370	420	400	160	135
25000	480	380	420	400	170	145

Ulteriori potenze a richiesta

