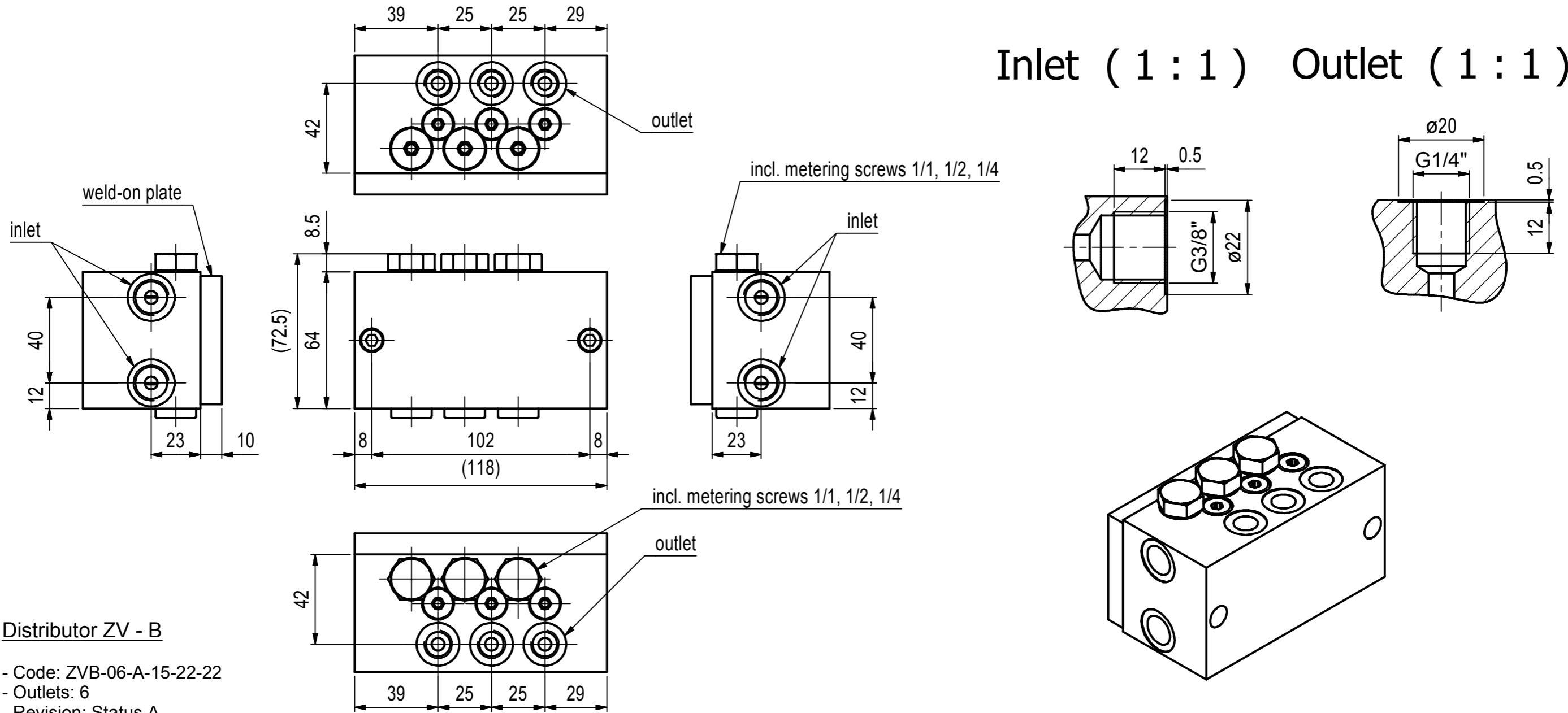


Inlet ( 1 : 1 ) Outlet ( 1 : 1 )



**Distributor ZV - B**

- Code: ZVB-06-A-15-22-22
- Outlets: 6
- Revision: Status A
- Metered Volume: 1.5 cm<sup>3</sup> / Outlet
- Supplied Incl. metering Screws 1/1, 1/2, 1/4
- Accessories: Weld-on Plate as per SMS Standard, Incl. Screws

Operating Pressure: Min. 10 Bar to Max. 400 Bar  
 Operating Temperature: -20 to +80°C.

**Remark**

On Distributors with odd Number of Outlets (1,3,5,7) the Socket Set Screw between Two facing Outlets must be removed and the unused Outlet sealed by a G1/4" Screw Plug. As a Result this Outlet Point will have the double Grease Quantity (use metering Screw 1/2 or 1/4 to reduce Quantity).

Index	Description of Modification	Date	Name
A	Code Modified	21.05.2009	NALL

THIS DRAWING AND ALL INFORMATION THERE ON IS THE PROPERTY OF CONCAST AND IS CONFIDENTIAL AND MUST NOT BE MADE PUBLIC OR COPIED UNLESS AUTHORISED BY IT AND IS SUBJECT TO RETURN UPON DEMAND

Standard Workshop Instructions 9800.4	ISO 128	Section	Weight 3.7 KG	Main Scale 1:2	Format A3
---------------------------------------	---------	---------	---------------	----------------	-----------

<b>Grease Distributor 6 Outlets</b>	Replaced by	
	Released	22.06.2009 DASR
	Approved	22.06.2009 DASR
	Drawn	21.05.2009 NALL

	Document No.	10'004'777	Version	A
	Sheet: 1 of 1			
	Material No.	368506		