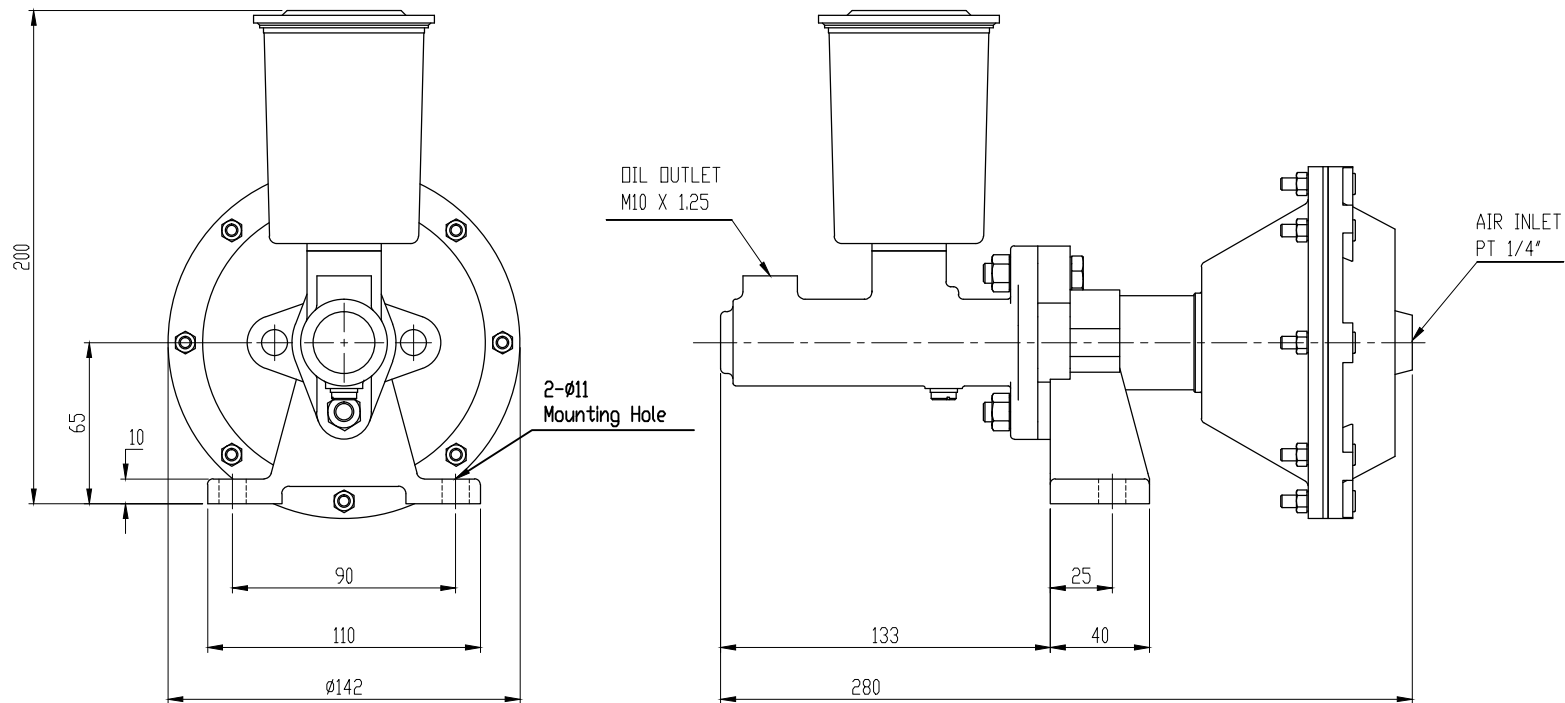


1	2	3	4	5	6	7	8
Reversion	Description	Date	Approve				



MASTER CYLINDER	1' x 24 stroke
AIR CYLINDER	4' x 24 stroke
BOOSTER RATIO	14 : 1
MAX. AIR PRESSURE	0.5 MPa
DISCHARGE OIL VOLUME	10 cc
Oil To be Used	Use Brake Oil (only)

BOOSTER(DB-3244)						
NO.	DESCRIPTIONS	MATERIAL	Q'TY	REMARKS		
CUSTOMER			3rd ANGLE	UNIT	mm	SCALE 1:1
PROJECT			DES. BY	CHK. BY	APP. BY	
TITLE	BOOSTER(CB-3244)					
DWG No.						

